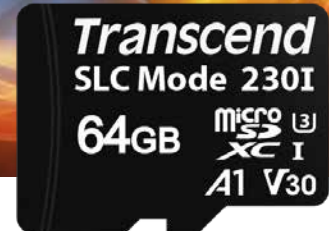


Embedded Solutions



microSD Cards

Industrial Temp microSDHC/microSD230I

Wide Temperature

Transcend's SLC mode solution features excellent endurance and reliability at cost-effective prices. The industrial-grade microSDHC/microSD230I cards offer wide temperature tolerance (-40°C to 85°C) for industrial use. These cards are the ideal solution for small form factor and write-intensive applications such as medical devices, surveillance systems, and POS terminals. Transcend's memory cards are manufactured using high-quality flash chips and undergo extensive reliability testing at all stages of production.

Features

- High-quality 3D NAND flash and SLC mode for exceptional endurance and reliability
- Compliant with Speed Class 10
- Compliant with Video Speed Class 30 (V30)
- Compliant with SD specification 3.01 (2~4GB) and 5.1 (8~64GB)
- Built-in ECC (Error Correction Code) functionality
- Global Wear-Leveling and Block management for reliability
- Enhanced S.M.A.R.T. function for durability
- Compliant with RoHS 2.0 standards

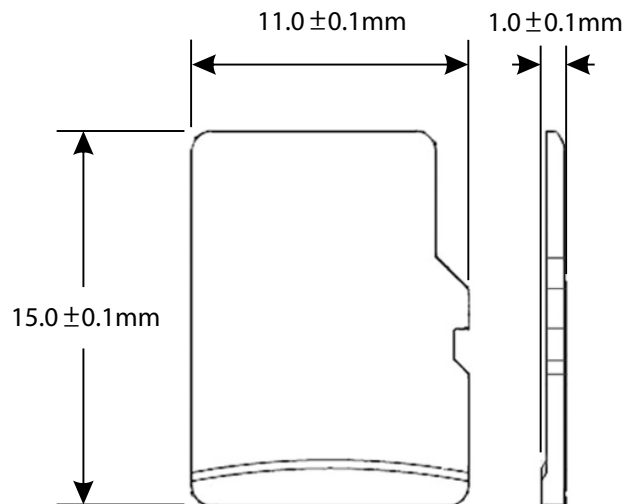
Ordering Information

| | |
|------|--------------|
| 2GB | TS2GUSD230I |
| 4GB | TS4GUSD230I |
| 8GB | TS8GUSD230I |
| 16GB | TS16GUSD230I |
| 32GB | TS32GUSD230I |
| 64GB | TS64GUSD230I |

Specifications

| | | |
|-----------------------|---|--|
| Appearance | Dimensions | 11 mm x 15 mm x 1 mm (0.43" x 0.59" x 0.04") |
| | Form Factor | microSD flash card |
| Storage | Flash Type | 3D NAND flash |
| | Capacity | 2 GB/4 GB/8 GB/16 GB/32 GB/64 GB |
| Operating Environment | Operating Voltage | 2.7V ~ 3.6V |
| | Drop Test | 1.5m free fall |
| | Operating Temperature | -40°C (-40°F) ~ 85°C (185°F) |
| | Storage Temperature | -40°C (-40°F) ~ 85°C (185°F) |
| | Humidity | 0% ~ 95% |
| | Shock | Acceleration: 490 m/s ² (standard holding time: 11 ms, semi-sine wave, velocity change: 3.44 m/s) |
| | Vibration (Operating) | 20 G (peak-to-peak), 20 Hz ~ 2,000 Hz (frequency) |
| Power | Power Consumption (Max.) | 0.2 watt(s) |
| Performance | Read Speed (Max.) | 100 MB/s |
| | Write Speed (Max.) | 70 MB/s |
| | Terabytes Written (Max.) | 5800 TB |
| Warranty | Warranty | Three-year Limited Warranty |
| Note | • Speed may vary due to host hardware, software, usage, and storage capacity. | |

Mechanical Dimensions



Product specifications are subject to change without notice. Pictures shown may differ from actual products. Total accessible capacity varies depending on operating environment. Due to the complexity and variety of industrial applications, Transcend cannot guarantee 100% compatibility with all platforms and under all scenarios. For special applications and environments, it is strongly suggested that you contact Transcend beforehand for clarification.



Please feel free to contact us with any special requests you might have.
Tel: +886-2-2792-8000 www.transcend-info.com

