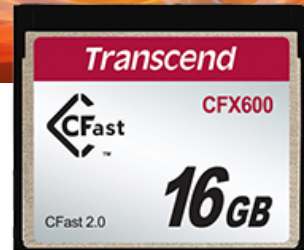


Embedded Solutions



CFast Cards

CFX600I

Featuring a SATA III interface, Transcend's CFast 2.0 CFX600I memory cards boast high data transfer rates and large storage capacity. The CFX600I cards have a wide operating temperature, allowing sustained functionality and reliability in extreme temperatures, and can also be used as bootable disks.

Hardware Features

- Compliant with RoHS standards
- Compliant with CFast specification 2.0
- MLC NAND flash
- Durability: 10,000 insertion/removal cycles

Firmware Features

- Built-in ECC (Error Correction Code) functionality
- Supports S.M.A.R.T. function to conduct health monitoring, analysis, and reporting for storage devices
- Security Command
- Power-saving DevSleep (Device Sleep) mode
- Wear-Leveling

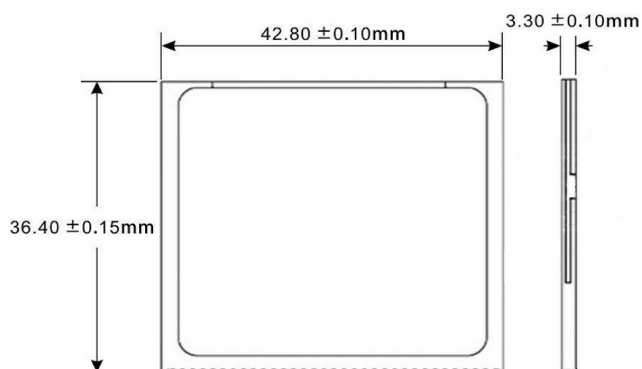
Ordering Information

16GB TS16GCFX600I

Specifications

Appearance	Dimensions	42.8 mm x 36.4 mm x 3.3 mm (1.69" x 1.43" x 0.13")
	Form Factor	Compact flash card
Interface	Bus Interface	SATA III 6Gb/s
Storage	Flash Type	MLC NAND flash
	Capacity	16 GB
Operating Environment	Operating Voltage	3.3V±5%
	Operating Temperature	-40°C (-40°F) ~ 85°C (185°F)
	Storage Temperature	-40°C (-40°F) ~ 85°C (185°F)
	Humidity	0% ~ 95%
	Shock	1500 G, 0.5 ms, 3 axis
	Vibration (Operating)	3 G (peak-to-peak), 5 Hz ~ 800 Hz (frequency)
Power	Power Consumption (Max.)	0.53 watt(s)
Performance	Read Speed (Max.)	up to 139 MB/s
	Write Speed (Max.)	up to 28 MB/s
	Mean Time Between Failures (MTBF)	1,000,000 hour(s)
Warranty	Warranty	Three-year Limited Warranty

Mechanical Dimensions



Product specifications are subject to change without notice. Pictures shown may differ from actual products. Total accessible capacity varies depending on operating environment. Due to the complexity and variety of industrial applications, Transcend cannot guarantee 100% compatibility with all platforms and under all scenarios. For special applications and environments, it is strongly suggested that you contact Transcend beforehand for clarification.