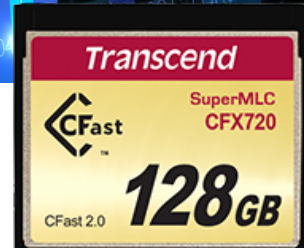


Embedded Solutions



CFast Cards

CFX720

Transcend's SuperMLC technology is a cost-effective solution that offers performance close to that of SLC NAND flash at a more affordable price. The CFX720 SuperMLC CFast 2.0 cards combine the advantages of high-performance, endurance, and stability. These cards can be used as bootable disks and perform on the level of an SSD at a cost-effective price, especially suitable for industrial-grade applications.

Hardware Features

- Compliant with RoHS 2.0 standards
- Compliant with CFast specification 2.0
- Durability: 10,000 insertion/removal cycles

Firmware Features

- Enhanced S.M.A.R.T. function for durability
- Security Command
- Power-saving DevSleep (Device Sleep) mode
- Built-in ECC (Error Correction Code) functionality
- Wear-Leveling

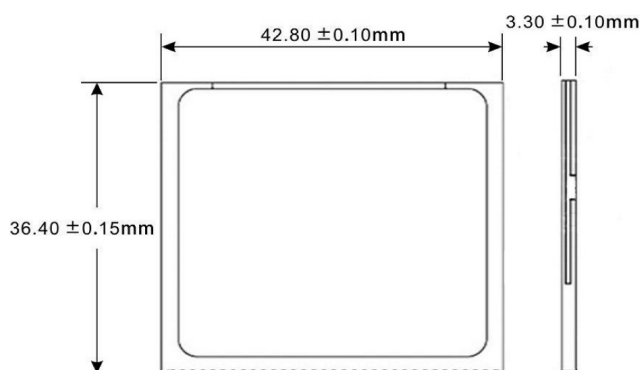
Ordering Information

128GB TS128GCFX720

Specifications

Appearance	Dimensions	42.8 mm x 36.4 mm x 3.3 mm (1.69" x 1.43" x 0.13")
	Form Factor	Compact flash card
Interface	Bus Interface	SATA III 6Gb/s
Storage	Flash Type	SuperMLC
	Capacity	128 GB
Operating Environment	Operating Voltage	3.3V±5%
	Operating Temperature	-5°C (23°F) ~ 70°C (158°F)
	Storage Temperature	-40°C (-40°F) ~ 85°C (185°F)
	Humidity	0% ~ 95%
	Shock	Acceleration: 490 m/s ² (standard holding time: 11 ms, semi-sine wave, velocity change: 3.44 m/s)
	Vibration (Operating)	3 G (peak-to-peak), 5 Hz ~ 800 Hz (frequency)
Power	Power Consumption (Max.)	1.42 watt(s)
Performance	Read Speed (Max.)	up to 506 MB/s
	Write Speed (Max.)	up to 427 MB/s
	Mean Time Between Failures (MTBF)	1,000,000 hour(s)
Warranty	Warranty	Three-year Limited Warranty

Mechanical Dimensions



Product specifications are subject to change without notice. Pictures shown may differ from actual products. Total accessible capacity varies depending on operating environment. Due to the complexity and variety of industrial applications, Transcend cannot guarantee 100% compatibility with all platforms and under all scenarios. For special applications and environments, it is strongly suggested that you contact Transcend beforehand for clarification.