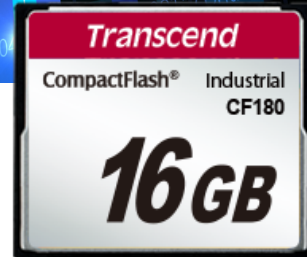


Embedded Solutions



CompactFlash Cards CF180 & CF180I

Transcend's SLC Mode technology is a cost-effective solution that offers performance close to that of SLC NAND flash at a more affordable price. Boasting a high-speed data transfer rate, Transcend's SLC Mode CF180 CompactFlash cards are perfect for embedded systems, medical instruments, road surveillance systems, and other industrial applications having high performance and capacity demands. Thanks to their use of Static Data Refresh technology, CF180 CF cards feature error correction capability, maintain data integrity, and have an extended lifespan.

Transcend also offers the CF180I CompactFlash cards with wide temperature (-40°C ~ 85°C) capabilities to ensure sustained functionality, enhanced endurance and optimal reliability in mission-critical applications.

Hardware Features

- Compliant with RoHS standards
- Compliant with CompactFlash specification 6.0
- Power Loss Protection (PLP) to prevent data loss in the event of sudden power outage
- Durability: 10,000 insertion/removal cycles
- High-quality MLC NAND flash and SLC mode (also called SuperMLC) for exceptional endurance and reliability

Firmware Features

- Supports S.M.A.R.T. function to conduct health monitoring, analysis, and reporting for storage devices
- Security Command
- Static Data Refresh
- Operation modes supported: PC Card Memory mode, PC Card IO mode, and True IDE mode
- True IDE Mode supported: UDMA0-5 (default), MDMA0-4, PIO0-6

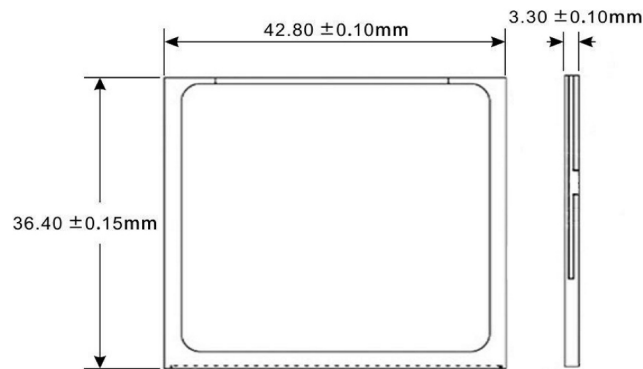
Ordering Information

128MB	TS128MCF180I
256MB	TS256MCF180I
512MB	TS512MCF180I
1GB	TS1GCF180I
2GB	TS2GCF180I
4GB	TS4GCF180 TS4GCF180I
8GB	TS8GCF180 TS8GCF180I
16GB	TS16GCF180 TS16GCF180I

Specifications

Appearance	Dimensions	42.8 mm x 36.4 mm x 3.3 mm (1.69" x 1.43" x 0.13")
	Pin Count	50 pin
	Form Factor	Compact flash card
Storage	Flash Type	MLC NAND flash (SLC mode)
	Capacity	128 MB / 256 MB / 512 MB / 1 GB / 2 GB / 4 GB / 8 GB / 16 GB
Operating Environment	Operating Voltage	3.3V±5% 5V±10%
	Operating Temperature	Extended Temp. -25°C (-13°F) ~ 85°C (185°F) Wide Temp. -40°C (-40°F) ~ 85°C (185°F)
	Storage Temperature	-40°C (-40°F) ~ 85°C (185°F)
	Humidity	0% ~ 95%
	Shock	1500 G, 0.5 ms, 3 axis
	Vibration (Operating)	20 G (peak-to-peak), 20 Hz ~ 2,000 Hz (frequency)
	Power	Power Consumption (Max.)
Performance	Read Speed (Max.)	up to 85 MB/s
	Write Speed (Max.)	up to 75 MB/s
	Mean Time Between Failures (MTBF)	3,000,000 hour(s)
Warranty	Warranty	Three-year Limited Warranty

Mechanical Dimensions



Product specifications are subject to change without notice. Pictures shown may differ from actual products. Total accessible capacity varies depending on operating environment. Due to the complexity and variety of industrial applications, Transcend cannot guarantee 100% compatibility with all platforms and under all scenarios. For special applications and environments, it is strongly suggested that you contact Transcend beforehand for clarification.