

Embedded Solutions

MMC

MMCmobile



Based on MultiMediaCard System Specification version 4.0, Transcend's MMCmobile cards operate at fast clock speeds and support enhanced bus-width modes for storing and accessing data-intensive content, making them ideal for use in mobile phones or for POS applications.

Hardware Features

- Compliant with MultiMediaCard (MMC) system specification 4.0

Firmware Features

- Clock frequencies supported: 0~52MHz
- Bus widths supported: x1, x4, x8
- Data access mode: Byte mode

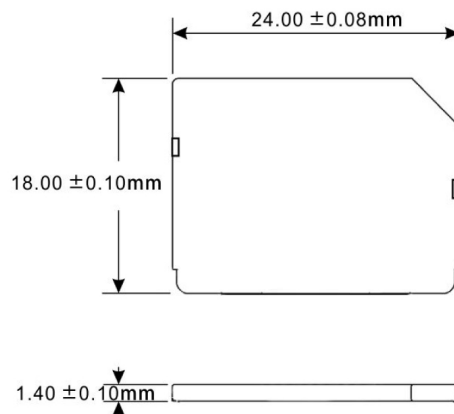
Ordering Information

1GB	TS1GRMMC4
-----	-----------

Specifications

Appearance	Dimensions	18 mm x 24 mm x 1.4 mm (0.70" x 0.94" x 0.06")
	Weight	1 g (0.04 oz)
	Form Factor	MMC Mobile
Storage	Flash Type	SLC NAND flash
	Capacity	1 GB
Operating Environment	Operating Voltage	2.7V ~ 3.6V
	Operating Temperature	-25°C (-13°F) ~ 85°C (185°F)
	Storage Temperature	-40°C (-40°F) ~ 85°C (185°F)
	Humidity	0% ~ 95%
	Clock Frequency Supported	0 MHz ~ 52 MHz
	Bus Width Supported	x1, 4, 8
	Drop Test	1.5m free fall
Performance	Insertion/Removal Cycles	10,000
Warranty	Warranty	Three-year Limited Warranty

Mechanical Dimensions



Product specifications are subject to change without notice. Pictures shown may differ from actual products. Total accessible capacity varies depending on operating environment. Due to the complexity and variety of industrial applications, Transcend cannot guarantee 100% compatibility with all platforms and under all scenarios. For special applications and environments, it is strongly suggested that you contact Transcend beforehand for clarification.