

## Embedded Solutions



# SATA III M.2 SSDs MTS530T

With the combination of larger storage capacity and lower production costs, Transcend's 3D TLC SSDs are the game-changer to the market, delivering endurance equivalent to what MLC-based solutions once prided themselves with. The MTS530T with SATA III 6Gb/s interface, ultra compact dimensions and 3D NAND flash makes it best suited to address the high-performance needs and strict size limitations of small form factor devices, all while being extra cost-effective and brought to you at an attractive price.

## Features

- Space-saving M.2 form factor (42mm) – ideal for mobile computing devices
- Supports DevSleep mode (optional)
- Supports S.M.A.R.T., TRIM and NCQ command
- RoHS compliant
- Advanced Global Wear-Leveling and Block management for reliability
- Supports Advanced Garbage Collection
- Built-in LDPC ECC (Error Correction Code) functionality
- Great shock resistance
- Bad Block Management
- Non-volatile Flash Memory for outstanding data retention

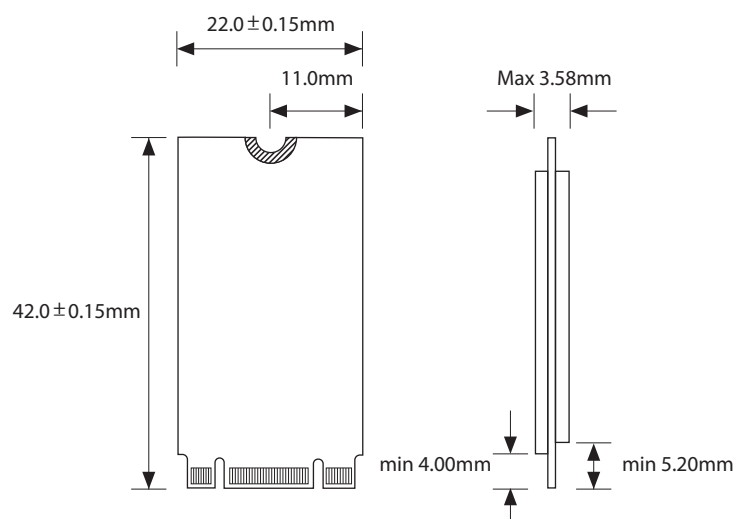
## Ordering Information

64GB	TS64GMTS530T
128GB	TS128GMTS530T
256GB	TS256GMTS530T

## Specifications

Appearance	Dimensions	42.0 mm x 22.0 mm x 3.58 mm (1.65" x 0.87" x 0.14")
	Weight	5 g (0.18 oz)
	Form Factor	M.2
	M.2 Type	2242-D2-B-M
Interface	Bus Interface	SATA III 6Gb/s
Storage	Flash Type	3D TLC NAND flash
	Capacity	64 GB/128 GB/256 GB
Operating Environment	Operating Voltage	3.3V±5%
	Operating Temperature	0°C (32°F) ~ 70°C (158°F)
	Storage Temperature	-40°C (-40°F) ~ 85°C (185°F)
	Humidity	5% ~ 95%
	Shock	1500 G, 0.5 ms, 3 axis
	Vibration	20 G (peak-to-peak), 5 Hz ~ 800 Hz (frequency)
Power	Power Consumption (Operation)	1.46 watt(s)
	Power Consumption (Sleep)	0.51 watt(s)
Performance	Sequential Read/Write (ATTO, max.)	Read: 520 MB/s; write: 360 MB/s
	Sequential Read/Write (CrystalDiskMark, max.)	Read: 520 MB/s; write: 360 MB/s
	4K Random Read/Write (IOmeter, max.)	Read: 70,000 IOPS; write: 80,000 IOPS
	Mean Time Between Failures (MTBF)	1,000,000 hour(s)
	Terabytes Written (Max.)	150 TBW
	Drive Writes Per Day (DWPD)	0.54 (3 yrs)
Warranty	Certificate	CE/FCC/BSMI
	Warranty	Three-year Limited Warranty
Note	<ul style="list-style-type: none"> <li>• Speed may vary due to host hardware, software, usage, and storage capacity.</li> <li>• The workload used to rate DWPD may be different from your actual workload, which may vary due to host hardware, software, usage, and storage capacity.</li> </ul>	

## Mechanical Dimensions



Product specifications are subject to change without notice. Pictures shown may differ from actual products. Total accessible capacity varies depending on operating environment. Due to the complexity and variety of industrial applications, Transcend cannot guarantee 100% compatibility with all platforms and under all scenarios. For special applications and environments, it is strongly suggested that you contact Transcend beforehand for clarification.



Please feel free to contact us with any special requests you might have.  
Tel: +886-2-2792-8000 [www.transcend-info.com](http://www.transcend-info.com)

