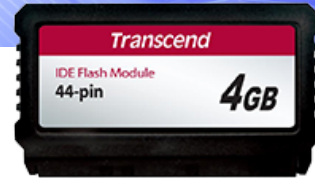


## Embedded Solutions



PATA

# PATA PTM720 Flash Module (44 Pin Vertical)

Transcend's 44-pin PATA PTM720 Flash Modules can be inserted directly to the PATA (IDE) interface of a motherboard to replace conventional 2.5" hard disk drives. Ideal for use as bootable drives, the 44-pin PATA PTM720 Flash Module is an easy solution for integrating SSD storage technology into laptop-based legacy systems.

## Hardware Features

- Compliant with RoHS 2.0 standards
- SLC NAND flash

## Firmware Features

- Security Command
- Enhanced S.M.A.R.T. function for durability
- Built-in ECC (Error Correction Code) functionality
- Based on Ultra DMA Mode 0~5
- Based on PIO Mode 0~4

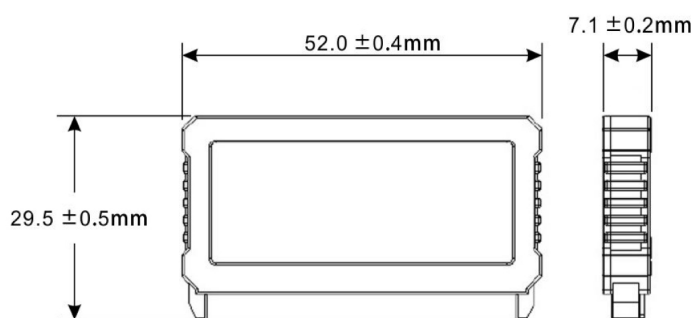
## Ordering Information

1GB	TS1GPTM720
2GB	TS2GPTM720
4GB	TS4GPTM720
512MB	TS512MPTM720

## Specifications

<b>Appearance</b>	Dimensions	52.0 mm x 29.5 mm x 7.2 mm (2.05" x 1.16" x 0.28")
	Pin Count	44 pin
<b>Interface</b>	Bus Interface	PATA
<b>Storage</b>	Flash Type	SLC NAND flash
	Capacity	512 MB / 1 GB / 2 GB / 4 GB
<b>Power</b>	Power Consumption (Operation)	0.9 watt(s)
<b>Performance</b>	Read Speed (Max.)	up to 39 MB/s
	Write Speed (Max.)	up to 42 MB/s
	Mean Time Between Failures (MTBF)	1,000,000 hour(s)
<b>Warranty</b>	Warranty	Three-year Limited Warranty

## Mechanical Dimensions



Product specifications are subject to change without notice. Pictures shown may differ from actual products. Total accessible capacity varies depending on operating environment. Due to the complexity and variety of industrial applications, Transcend cannot guarantee 100% compatibility with all platforms and under all scenarios. For special applications and environments, it is strongly suggested that you contact Transcend beforehand for clarification.