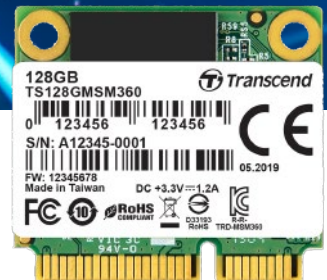


Embedded Solutions

mSATA SSDs

SATA III 6Gb/s mSATA MSM360



Fully compliant with mSATA specifications, Transcend's mSATA MSM360 mini SSD delivers the full performance benefits of SSD technology while measuring just 26.8 x 29.85 x 3.85mm. Combining ultra-compact dimensions with a high-bandwidth SATA III 6Gb/s interface, the mSATA MSM360 mini SSD is ideal for use in small form factor devices such as ultrabooks, industrial PCs, tablets, ultra-light notebooks, vehicle PCs, road surveillance recording devices, and other embedded storage applications.

Features

- RoHS compliant
- Built-in 66 bits per 1KByte ECC (Error Correction Code) functionality ensures highly reliable data transfer
- Global wear-leveling algorithm eliminates excessive write operation and extends product life
- Supports S.M.A.R.T (Self-defined)
- Supports Security Command
- Fully compatible with devices and OS that support the SATA 6Gb/s standard
- Compliant with JEDEC MO-300B
- Supports Transcend SSD Scope Pro (Optional)
- MLC NAND Flash

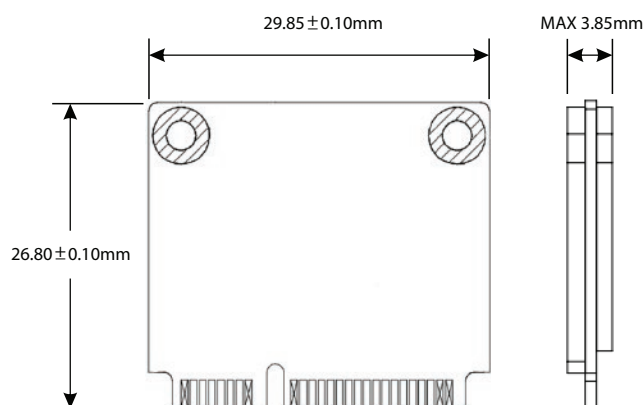
Ordering Information

16GB	TS16GMSM360
32GB	TS32GMSM360
64GB	TS64GMSM360
128GB	TS128GMSM360

Specifications

Appearance	Dimensions (Max.)	26.8 mm x 29.85 mm x 3.85 mm (1.06" x 1.18" x 0.15")
	Weight (Max.)	3 g (0.11 oz)
	mSATA Type	MO-300B
	Pin	52 pin
	Form Factor	mSATA
Interface	Bus Interface	SATA III 6Gb/s
Storage	Flash Type	MLC NAND flash
	Capacity	16 GB/32 GB/64 GB/128 GB
Operating Environment	Operating Voltage	3.3V±5%
	Operating Temperature	0°C (32°F) ~ 70°C (158°F)
	Storage Temperature	-40°C (-40°F) ~ 85°C (185°F)
	Humidity	0% ~ 95%
	Shock	1500 G, 0.5 ms, 3 axis
	Vibration (Operating)	3 G (peak-to-peak), 5 Hz ~ 800 Hz (frequency)
Power	Vibration (Non-operating)	5 G (peak-to-peak), 5 Hz ~ 800 Hz (frequency)
	Power Consumption (Operation)	2 watt(s)
Performance	Power Consumption (Sleep)	0.28 watt(s)
	Sequential Read/Write (CrystalDiskMark, max.)	Read: 520 MB/s; write: 220 MB/s
	4K Random Read/Write (IOMeter, max.)	Read: 35,000 IOPS; write: 50,000 IOPS
	Mean Time Between Failures (MTBF)	1,000,000 hour(s)
Warranty	Terabytes Written (Max.)	84 TB
	Certificate	CE/FCC/BSMI
Note	Warranty	Three-year Limited Warranty
	• Speed may vary due to host hardware, software, usage, and storage capacity.	

Mechanical Dimensions



Product specifications are subject to change without notice. Pictures shown may differ from actual products. Total accessible capacity varies depending on operating environment. Due to the complexity and variety of industrial applications, Transcend cannot guarantee 100% compatibility with all platforms and under all scenarios. For special applications and environments, it is strongly suggested that you contact Transcend beforehand for clarification.



Please feel free to contact us with any special requests you might have.
Tel: +886-2-2792-8000 www.transcend-info.com