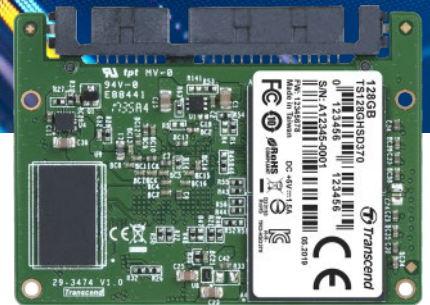


Embedded Solutions

Half-Slim SSDs SATA III 6Gb/s HSD370



Equipped with a SATA III 6Gb/s interface and a powerful controller, Transcend's HSD370 Half-Slim SSDs deliver outstanding transfer speeds in a compact form factor. Following the MO-297 standard set by JEDEC, SATA III 6Gb/s half-slim SSD modules undergo extensive reliability testing to ensure the utmost quality and performance, best suited to read-heavy applications and space-limited mobile devices such as industrial control systems, medical equipment, mobile devices, and POS terminals.

Features

- RoHS compliant
- Support TRIM and NCQ features
- Support Device Sleep mode
- Advanced Global Wear-Leveling and Intelligent Block management for reliability
- Built-in ECC (Error Correction Code) functionality
- With DDR3 DRAM Cache
- Support Advanced Garbage Collection and Enhanced S.M.A.R.T. function
- Power Shiled
- Support Security Command
- Shock and vibration resistance
- MLC NAND Flash

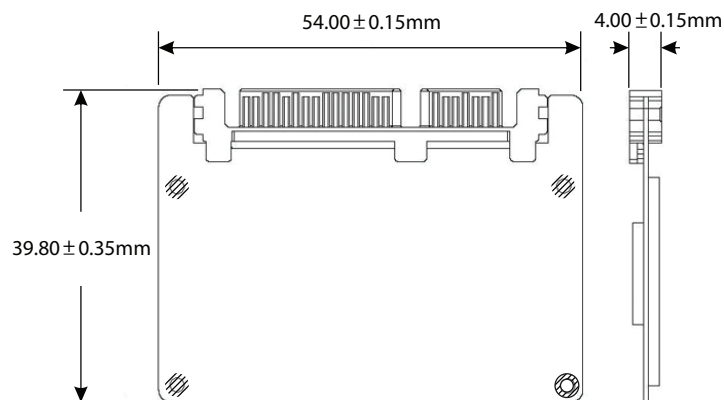
Ordering Information

16GB	TS16GHSD370
32GB	TS32GHSD370
64GB	TS64GHSD370
128GB	TS128GHSD370

Specifications

Appearance	Dimensions (Max.)	54 mm x 39.8 mm x 4 mm (2.13" x 1.57" x 0.15")
	Weight (Max.)	8 g (0.28 oz)
	mSATA Type	MO-297
	Pin	7+15 pin
	Form Factor	Half-slim
Interface	Bus Interface	SATA III 6Gb/s
Storage	Flash Type	MLC NAND flash
	Capacity	16 GB/32 GB/64 GB/128 GB
Operating Environment	Operating Voltage	5V±5%
	Operating Temperature	0°C (32°F) ~ 70°C (158°F)
	Storage Temperature	-40°C (-40°F) ~ 85°C (185°F)
	Humidity	0% ~ 95%
	Shock	1500 G, 0.5 ms, 3 axis
	Vibration (Operating)	3 G (peak-to-peak), 5 Hz ~ 800 Hz (frequency)
Power	Vibration (Non-operating)	5 G (peak-to-peak), 5 Hz ~ 800 Hz (frequency)
	Power Consumption (Operation)	2.85 watt(s)
	Power Consumption (Sleep)	0.57 watt(s)
	Performance	Sequential Read/Write (ATTO, max.)
Sequential Read/Write (CrystalDiskMark, max.)		Read: 540 MB/s; write: 160 MB/s
4K Random Read/Write (IOMeter, max.)		Read: 70,000 IOPS; write: 75,000 IOPS
Mean Time Between Failures (MTBF)		1,500,000 hour(s)
Terabytes Written (Max.)		300 TB
Drive Writes Per Day (DWPD)		2 (3 yrs)
Warranty	Certificate	CE/FCC/BSMI
	Warranty	Three-year Limited Warranty
Note	<ul style="list-style-type: none"> • Speed may vary due to host hardware, software, usage, and storage capacity. • The workload used to rate DWPD may be different from your actual workload, which may vary due to host hardware, software, usage, and storage capacity. 	

Mechanical Dimensions



Product specifications are subject to change without notice. Pictures shown may differ from actual products. Total accessible capacity varies depending on operating environment. Due to the complexity and variety of industrial applications, Transcend cannot guarantee 100% compatibility with all platforms and under all scenarios. For special applications and environments, it is strongly suggested that you contact Transcend beforehand for clarification.



Please feel free to contact us with any special requests you might have.
Tel: +886-2-2792-8000 www.transcend-info.com

