

## Embedded Solutions



### SATA III M.2 SSDs

## MTS860

Transcend's MTS860 with SATA III 6Gb/s interface and ultra compact dimensions makes it best suited to address the high-performance needs and strict size limitations of small form factor devices. This means it is perfect for use in today's modern ultrabooks, thin and light notebooks, and tablets. Built with the latest SATA III 6Gb/s specifications, and with a powerful controller and exceptional transfer speeds, the M.2 SSD easily handles everyday computing tasks as well as demanding multimedia applications.

### Hardware Features

- Compliant with RoHS standards
- Space-saving M.2 form factor (80mm) – ideal for mobile computing devices
- DDR3 DRAM Cache embedded
- Supports Transcend Scope Pro software

### Firmware Features

- Enhanced S.M.A.R.T. function for durability
- Transcend's exclusive SuperMLC technology
- Power-saving DevSleep (Device Sleep) mode
- Security Command
- Power-saving partial and slumber modes

### Ordering Information

---

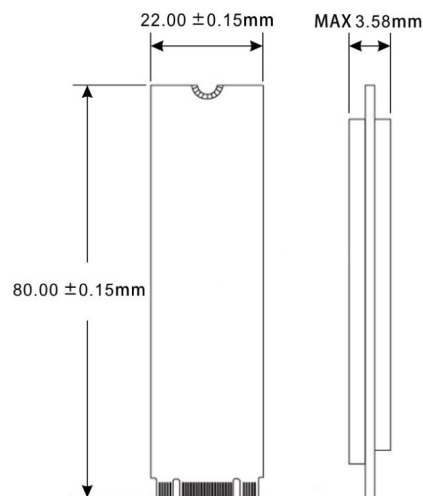
64GB	TS64GMTS860
------	-------------

---

## Specifications

<b>Appearance</b>	Dimensions	80.0 mm x 22.0 mm x 3.58 mm (3.15" x 0.87" x 0.14")
	Weight	9 g (0.32 oz)
	Form Factor	M.2
	M.2 Type	2280-D2-B-M (Double-sided)
<b>Interface</b>	Bus Interface	SATA III 6Gb/s
<b>Storage</b>	Flash Type	SuperMLC
	Capacity	64 GB
<b>Operating Environment</b>	Operating Voltage	3.3V±5%
	Operating Temperature	Standard 0°C (32°F) ~ 70°C (158°F)
	Storage Temperature	-40°C (-40°F) ~ 85°C (185°F)
	Humidity	0% ~ 95%
	Shock	1500 G, 0.5 ms, 3 axis
	Vibration (Operating)	3 G (peak-to-peak), 5 Hz ~ 800 Hz (frequency)
	Vibration (Non-operating)	5 G (peak-to-peak), 5 Hz ~ 800 Hz (frequency)
<b>Power</b>	Power Consumption (Operation)	2.43 watt(s)
	Power Consumption (Sleep)	0.33 watt(s)
<b>Performance</b>	Sequential Read/Write (ATTO, max.)	Read: up to 570 MB/s Write: up to 460 MB/s
	Sequential Read/Write (CrystalDiskMark, max.)	Read: up to 540 MB/s Write: up to 430 MB/s
	4K Random Read/Write (IOmeter, max.)	Read: up to 75,000 IOPS Write: up to 75,000 IOPS
	Mean Time Between Failures (MTBF)	1,500,000 hour(s)
	Terabytes Written (Max.)	1,160 TBW
	Drive Writes Per Day (DWPD)	16.9 (3 yrs)
<b>Warranty</b>	Certificate	CE / FCC / BSMI
	Warranty	Three-year Limited Warranty

## Mechanical Dimensions



Product specifications are subject to change without notice. Pictures shown may differ from actual products. Total accessible capacity varies depending on operating environment. Due to the complexity and variety of industrial applications, Transcend cannot guarantee 100% compatibility with all platforms and under all scenarios. For special applications and environments, it is strongly suggested that you contact Transcend beforehand for clarification.