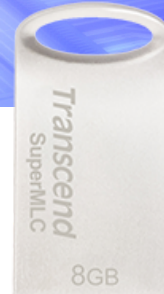


Embedded Solutions



USB

SuperMLC USB Flash Drive

Transcend's SuperMLC technology features a cost-effective solution that offers performance close to that of SLC NAND flash at a more affordable price. The industrial-grade SuperMLC USB flash drive combines the advantages of high-performance, exceptional endurance, and intensive read/write cycles, making it ideal for demanding industrial-grade applications.

Hardware Features

- High-speed USB 3.1 Gen 1 interface
- Hot-swapping for easy plug-and-play
- Supports Transcend Elite data management software

Firmware Features

- Transcend's exclusive SuperMLC technology

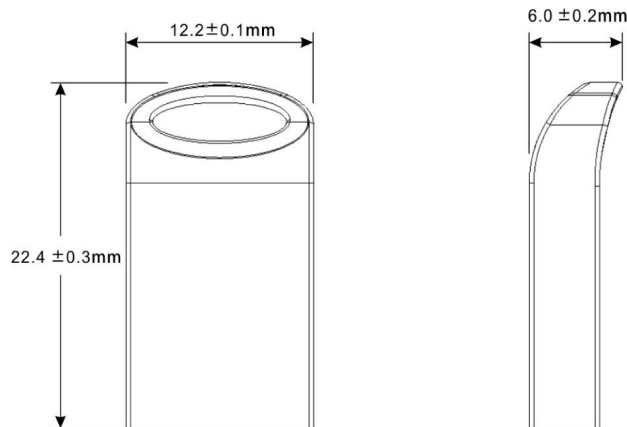
Ordering Information

8GB TS8GJF740K

Specifications

Appearance	Dimensions	22.4 mm x 12.2 mm x 6 mm (0.88" x 0.48" x 0.24")
	Interface	Connection Interface
Storage	USB Type	USB Type-A
	Flash Type	SuperMLC
Operating Environment	Capacity	8 GB
	Operating Voltage	5V±10%
	Operating Temperature	0°C (32°F) ~ 70°C (158°F)
	Storage Temperature	-40°C (-40°F) ~ 85°C (185°F)
	Shock	1500 G, 0.5 ms, 3 axis
Power	Vibration (Operating)	3 G (peak-to-peak), 5 Hz ~ 800 Hz (frequency)
	Power Consumption (Operation)	0.83 watt(s)
Performance	Read Speed (Max.)	up to 119 MB/s
	Write Speed (Max.)	up to 86 MB/s
	Terabytes Written (Max.)	150 TBW
	Mean Time Between Failures (MTBF)	3,000,000 hour(s)
Warranty	Certificate	CE / FCC / BSMI
	Warranty	Three-year Limited Warranty

Mechanical Dimensions



Product specifications are subject to change without notice. Pictures shown may differ from actual products. Total accessible capacity varies depending on operating environment. Due to the complexity and variety of industrial applications, Transcend cannot guarantee 100% compatibility with all platforms and under all scenarios. For special applications and environments, it is strongly suggested that you contact Transcend beforehand for clarification.