

Embedded Solutions



USB Flash Memory JF740K

Transcend's SuperMLC technology features a cost-effective solution that offers performance close to that of SLC NAND flash at a more affordable price. The industrial-grade SuperMLC USB flash drive combines the advantages of high-performance, exceptional endurance, and intensive read/write cycles, making it ideal for demanding industrial-grade applications.

Features

- Transcend's exclusive SuperMLC technology
- Supports USB 3.1 Gen 1 interface
- Lightweight design with easy plug-and-play installation
- High-quality metallic casing

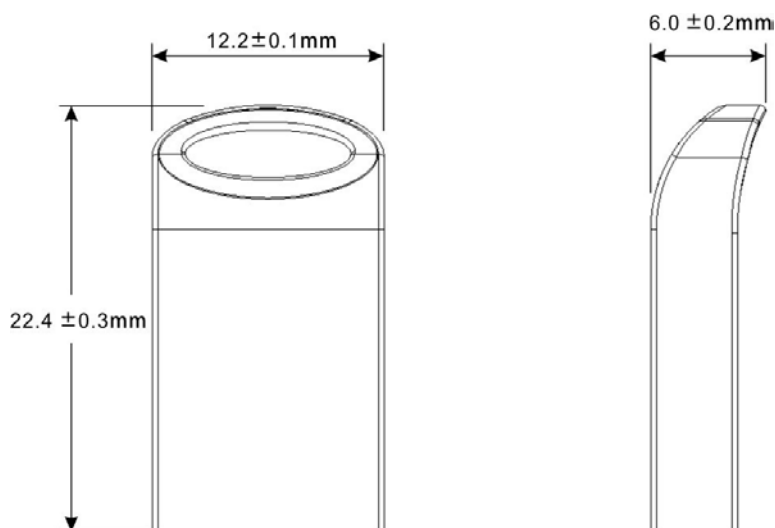
Ordering Information

| | |
|-----|------------|
| 8GB | TS8GJF740K |
|-----|------------|

Specification

| | | |
|-----------------------|---|--|
| Appearance | Dimensions | 22.4 mm x 12.2 mm x 6 mm (0.88" x 0.48" x 0.24") |
| | Connection Interface | USB 3.1 Gen 1 |
| Interface | USB Type | USB Type-A |
| | Flash Type | SuperMLC |
| Storage | Capacity | 8GB |
| | Operating Voltage | 5V±10% |
| Operating Environment | Operating Temperature | 0°C (32°F) ~ 70°C (158°F) |
| | Storage Temperature | -40°C (-40°F) ~ 85°C (185°F) |
| | Shock | 1500 G, 0.5 ms, 3 axis |
| | Vibration (Operating) | 3 G (peak-to-peak), 5 Hz ~ 800 Hz (frequency) |
| Power | Power Consumption (Operation) | 0.83 watt(s) |
| Performance* | Read Speed (Max.) | 119 MB/s |
| | Write Speed (Max.) | 86 MB/s |
| | Terabytes Written (Max.) | 150 TBW |
| | Mean Time Between Failures (MTBF) | 3,000,000 hour(s) |
| Warranty | Certificate | CE / FCC / BSMI |
| | Warranty | Three-year Limited Warranty |
| Note | * Speed may vary due to host hardware, software, usage, and storage capacity. | |

Mechanical Specification



Product specifications are subject to change without notice. Pictures shown may differ from actual products. When used as a storage capacity unit, one terabyte (TB) = one trillion bytes. Total accessible capacity varies depending on operating environment. Due to the complexity and variety of industrial applications, Transcend cannot guarantee 100% compatibility with all platforms and under all scenarios. For special applications and environments, it is strongly suggested that you contact Transcend beforehand for clarification.



Please feel free to contact us with any special requests you might have.

Tel: +886-2-2792-8000 www.transcend-info.com