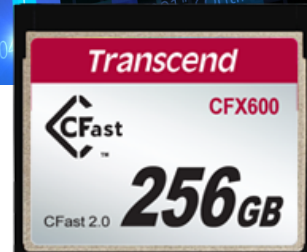


Embedded Solutions



CFast Cards

CFX600

Featuring a SATA III interface, Transcend CFast 2.0 CFX600 Memory Cards boast high data transfer rates and extra large storage capacity. Transcend CFX600 cards can also be used as bootable disks.

Hardware Features

- Compliant with RoHS 2.0 standards
- Compliant with CFast specification 2.0
- MLC NAND flash
- Durability: 10,000 insertion/removal cycles

Firmware Features

- Built-in ECC (Error Correction Code) functionality
- Wear-Leveling
- Enhanced S.M.A.R.T. function for durability
- Power-saving DevSleep (Device Sleep) mode

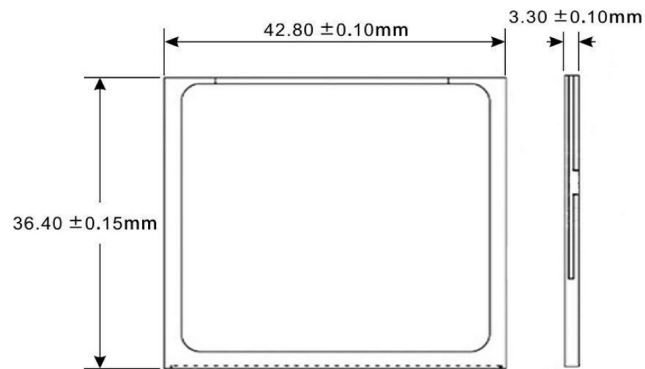
Ordering Information

16GB	TS16GCFX600
32GB	TS32GCFX600
64GB	TS64GCFX600
128GB	TS128GCFX600
256GB	TS256GCFX600

Specifications

Appearance	Dimensions	42.8 mm x 36.4 mm x 3.3 mm (1.69" x 1.43" x 0.13")
	Form Factor	Compact flash card
Interface	Bus Interface	SATA III 6Gb/s
Storage	Flash Type	MLC NAND flash
	Capacity	16 GB / 32 GB / 64 GB / 128 GB / 256 GB
Operating Environment	Operating Voltage	3.3V±5%
	Operating Temperature	-5°C (23°F) ~ 70°C (158°F)
	Storage Temperature	-40°C (-40°F) ~ 85°C (185°F)
	Humidity	0% ~ 95%
	Shock	Acceleration: 490 m/s ² (standard holding time: 11 ms, semi-sine wave, velocity change: 3.44 m/s)
	Vibration (Operating)	3 G (peak-to-peak), 5 Hz ~ 800 Hz (frequency)
Power	Power Consumption (Max.)	2.05 watt(s)
Performance	Read Speed (Max.)	up to 500 MB/s
	Write Speed (Max.)	up to 350 MB/s
	Mean Time Between Failures (MTBF)	1,000,000 hour(s)
Warranty	Warranty	Three-year Limited Warranty

Mechanical Dimensions



Product specifications are subject to change without notice. Pictures shown may differ from actual products. Total accessible capacity varies depending on operating environment. Due to the complexity and variety of industrial applications, Transcend cannot guarantee 100% compatibility with all platforms and under all scenarios. For special applications and environments, it is strongly suggested that you contact Transcend beforehand for clarification.