

## Embedded Solutions



### microSD Cards

# microSDHC Class 10

The ideal choice for small form factor devices with high performance demands, Transcend's High Capacity microSD cards are specifically designed for use in digital cameras, DV recorders, mobile phones, and other small devices. To ensure reliability and endurance, these microSD cards are manufactured using brand-name MLC NAND Flash chips and undergo extensive reliability testing at all stages of production.

## Features

- RoHS compliant
- Comply with SD File System Specification Ver. 3.01
- Support Copy Protection for Recorded Media (CPRM) for SD-Audio
- Support Speed Class Specification Class 10
- Support auto-standby, power-off and sleep modes
- Built-in Error Correcting Code (ECC) to detect and correct transfer errors
- Manufactured with brand-name MLC NAND Flash chips for extra endurance and stability

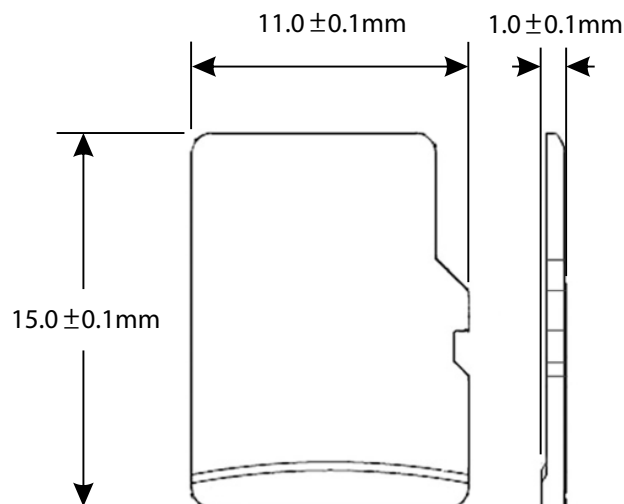
## Ordering Information

4GB	TS4GUSDC10M
8GB	TS8GUSDC10M
16GB	TS16GUSDC10M
32GB	TS32GUSDC10M

## Specifications

Appearance	Dimensions (Max.)	11 mm x 15 mm x 1 mm (0.43" x 0.59" x 0.04")
	Form Factor	microSD flash card
Storage	Flash Type	MLC NAND flash
	Capacity	4 GB/8 GB/16 GB/32 GB
Operating Environment	Operating Voltage	2.7V ~ 3.6V
	Drop Test	1.5m free fall
	Operating Temperature	-25°C (-13°F) ~ 85°C (185°F)
	Storage Temperature	-40°C (-40°F) ~ 85°C (185°F)
	Humidity	0% ~ 95%
	Shock	Acceleration: 490 m/s <sup>2</sup> (standard holding time: 11 ms, semi-sine wave, velocity change: 3.44 m/s)
	Vibration (Operating)	20 G (peak-to-peak), 20 Hz ~ 2,000 Hz (frequency)
Power	Power Consumption (Max.)	0.72 watt(s)
Performance	Read Speed (Max.)	24 MB/s
	Write Speed (Max.)	22 MB/s
	Terabytes Written (Max.)	60 TB
Warranty	Certificate	CE/FCC/BSMI
	Warranty	Three-year Limited Warranty
Note	• Speed may vary due to host hardware, software, usage, and storage capacity.	

## Mechanical Dimensions



Product specifications are subject to change without notice. Pictures shown may differ from actual products. Total accessible capacity varies depending on operating environment. Due to the complexity and variety of industrial applications, Transcend cannot guarantee 100% compatibility with all platforms and under all scenarios. For special applications and environments, it is strongly suggested that you contact Transcend beforehand for clarification.



Please feel free to contact us with any special requests you might have.  
Tel: +886-2-2792-8000 [www.transcend-info.com](http://www.transcend-info.com)