

Embedded Solutions



microSD Cards

Industrial Temp microSDHC10I

Wide Temperature

Transcend's Industrial Temp microSD cards offer customers both design flexibility and cost savings. While small, Transcend's microSD cards have wide temperature tolerance (-40°C to 85°C). The cards feature high-quality controller and MLC flash chips, providing excellent shock and vibration resistance and low power consumption, delivering the performance and reliability of industrial memory cards in a small form factor.

Features

- RoHS compliant
- Durability: 10,000 insertion/removal cycles
- Compatible with SD Specification Ver. 3.0
- SD File System Specification Ver. 3.0 compliant
- Supports Speed Class Specification Class 10
- Power cycle robustness
- Electrostatic protection (ICE 61000-4-2)
- IPX7 waterproof
- Supports S.M.A.R.T. function

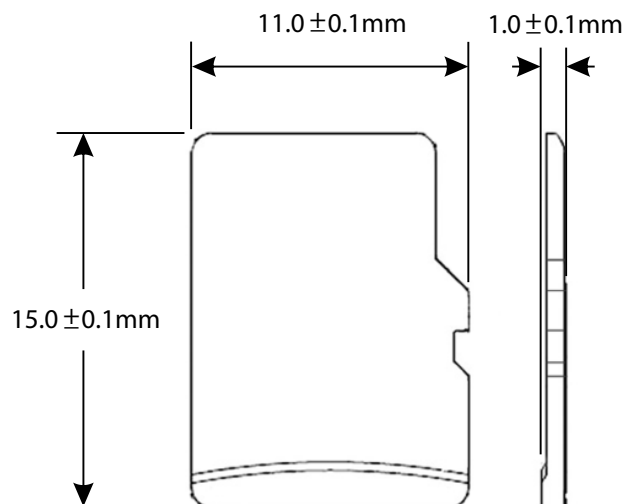
Ordering Information

8GB	TS8GUSDC10I
16GB	TS16GUSDC10I
32GB	TS32GUSDC10I
64GB	TS64GUSDC10I

Specifications

Appearance	Dimensions (Max.)	11 mm x 15 mm x 1 mm (0.43" x 0.59" x 0.04")
	Form Factor	microSD flash card
Storage	Flash Type	MLC NAND flash
	Capacity	8 GB/16 GB/32 GB/64 GB
Operating Environment	Operating Voltage	2.7V ~ 3.6V
	Drop Test	1.5m free fall
	Operating Temperature	-40°C (-40°F) ~ 85°C (185°F)
	Storage Temperature	-40°C (-40°F) ~ 85°C (185°F)
	Humidity	0% ~ 95%
	Shock	Acceleration: 490 m/s ² (standard holding time: 11 ms, semi-sine wave, velocity change: 3.44 m/s)
	Vibration (Operating)	20 G (peak-to-peak), 20 Hz ~ 2,000 Hz (frequency)
Power	Power Consumption (Max.)	0.72 watt(s)
Performance	Read Speed (Max.)	21 MB/s
	Write Speed (Max.)	17 MB/s
	Terabytes Written (Max.)	120 TB
Warranty	Certificate	CE/FCC/BSMI
	Warranty	Three-year Limited Warranty
Note	• Speed may vary due to host hardware, software, usage, and storage capacity.	

Mechanical Dimensions



Product specifications are subject to change without notice. Pictures shown may differ from actual products. Total accessible capacity varies depending on operating environment. Due to the complexity and variety of industrial applications, Transcend cannot guarantee 100% compatibility with all platforms and under all scenarios. For special applications and environments, it is strongly suggested that you contact Transcend beforehand for clarification.



Please feel free to contact us with any special requests you might have.
Tel: +886-2-2792-8000 www.transcend-info.com

