

Embedded Solutions



SD Cards

SDHC10I

Manufactured using a 0.16um process controller and high-quality industrial MLC NAND Flash memory, Transcend Industrial Temp SDHC10I cards provide high performance, low power consumption, excellent reliability, and wide operating temperature tolerance.

Hardware Features

- Compliant with RoHS 2.0 standards
- MLC NAND flash
- Compliant with SD specification 3.01
- Compliant with Speed Class 10
- Promised operational reliability in a wide temperature range (from -40°C to 85°C)

Ordering Information

8GB	TS8GSDHC10I
16GB	TS16GSDHC10I
32GB	TS32GSDHC10I

Firmware Features

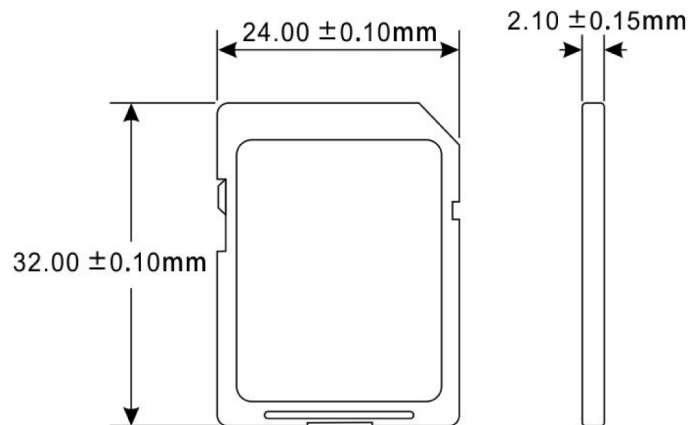
- Mechanical Write Protection switch for data security
- Supports S.M.A.R.T. function to conduct health monitoring, analysis, and reporting for storage devices
- Built-in ECC (Error Correction Code) functionality
- Wear-Leveling
- Early Move

*Scope Pro is only available when used with the [RDF5](#) card reader.

Specifications

Appearance	Dimensions	24 mm x 32 mm x 2.1 mm (0.94" x 1.26" x 0.08")
	Form Factor	SD flash card
Storage	Flash Type	MLC NAND flash
	Capacity	8 GB / 16 GB / 32 GB
Operating Environment	Operating Voltage	2.7V ~ 3.6V
	Drop Test	1.5m free fall
	Operating Temperature	Wide Temp. -40°C (-40°F) ~ 85°C (185°F)
	Storage Temperature	-40°C (-40°F) ~ 85°C (185°F)
	Humidity	0% ~ 95%
	Shock	Acceleration: 490 m/s ² (standard holding time: 11 ms, semi-sine wave, velocity change: 3.44 m/s)
	Vibration (Operating)	20 G (peak-to-peak), 20 Hz ~ 2,000 Hz (frequency)
Power	Power Consumption (Max.)	0.72 watt(s)
Performance	Read Speed (Max.)	up to 24 MB/s
	Write Speed (Max.)	up to 16 MB/s
	Terabytes Written (TBW)	up to 60 TBW
Warranty	Certificate	CE / FCC / UKCA
	Warranty	Three-year Limited Warranty

Mechanical Dimensions



Product specifications are subject to change without notice. Pictures shown may differ from actual products. Total accessible capacity varies depending on operating environment. Due to the complexity and variety of industrial applications, Transcend cannot guarantee 100% compatibility with all platforms and under all scenarios. For special applications and environments, it is strongly suggested that you contact Transcend beforehand for clarification.