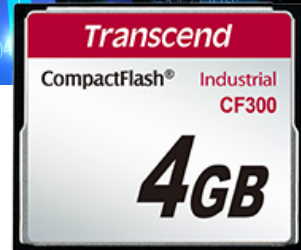


## Embedded Solutions



## CompactFlash Cards CF300

Transcend's CF300 cards are high-speed industrial CF cards offering impressive 300X transfer rates. With matchless performance and durability, CF300 CF cards are perfect for POS and embedded systems that require both industrial-grade reliability and an ultra-high speed data transfer.

### Hardware Features

- Compliant with RoHS 2.0 standards
- Compliant with CompactFlash specification 6.0
- Durability: 10,000 insertion/removal cycles
- Intelligent Power Shield (IPS) to prevent data loss in the event of sudden power outage

### Firmware Features

- Enhanced S.M.A.R.T. function for durability
- Security Command
- Wear-Leveling
- True IDE Mode supported: UDMA0-5 (default), MDMA0-4, PIO0-6
- True IDE Mode: Fixed Disk (Standard)

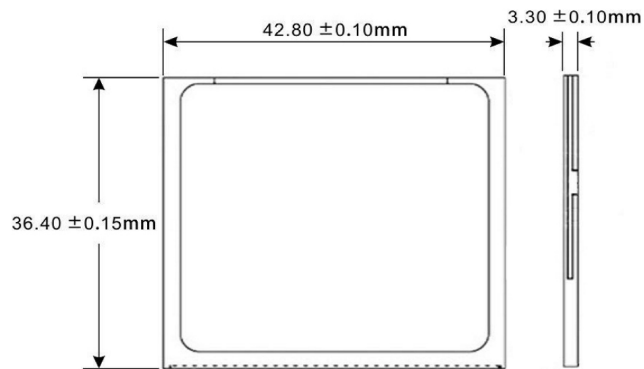
### Ordering Information

1GB	TS1GCF300
2GB	TS2GCF300
4GB	TS4GCF300
128MB	TS128MCF300
256MB	TS256MCF300
512MB	TS512MCF300

## Specifications

<b>Appearance</b>	Dimensions	42.8 mm x 36.4 mm x 3.3 mm (1.69" x 1.43" x 0.13")
	Pin Count	50 pin
	Form Factor	Compact flash card
<b>Storage</b>	Flash Type	SLC NAND flash
	Capacity	128 MB / 256 MB / 512 MB / 1 GB / 2 GB / 4 GB
<b>Operating Environment</b>	Operating Voltage	3.3V±5% 5V±10%
	Operating Temperature	-25°C (-13°F) ~ 85°C (185°F)
	Storage Temperature	-40°C (-40°F) ~ 85°C (185°F)
	Humidity	0% ~ 95%
	Shock	Acceleration: 490 m/s <sup>2</sup> (standard holding time: 11 ms, semi-sine wave, velocity change: 3.44 m/s)
	Vibration (Operating)	20 G (peak-to-peak), 20 Hz ~ 2,000 Hz (frequency)
<b>Power</b>	Power Consumption (Max.)	0.33 watt(s)
<b>Performance</b>	Read Speed (Max.)	up to 59 MB/s
	Write Speed (Max.)	up to 24 MB/s
	Mean Time Between Failures (MTBF)	1,000,000 hour(s)
	Terabytes Written (Max.)	TBW
<b>Warranty</b>	Warranty	Three-year Limited Warranty

## Mechanical Dimensions



Product specifications are subject to change without notice. Pictures shown may differ from actual products. Total accessible capacity varies depending on operating environment. Due to the complexity and variety of industrial applications, Transcend cannot guarantee 100% compatibility with all platforms and under all scenarios. For special applications and environments, it is strongly suggested that you contact Transcend beforehand for clarification.