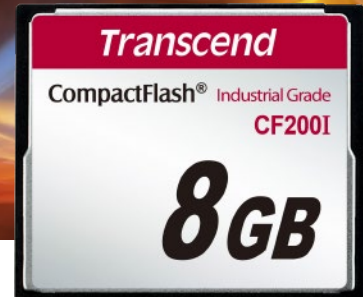


Embedded Solutions



CompactFlash Cards Industrial Temp CF200I CF Card

Wide Temperature

Built extra-rugged with excellent temperature flexibility and high performance, Transcend's CF200I Industrial Temp CF cards are specifically designed for industrial use and mission-critical applications.

Features

- CompactFlash Specification Version 4.1 Compliant
- RoHS compliant product
- Support S.M.A.R.T (Self-defined)
- Support Security Command
- Support Global Wear-Leveling, Static Data Refresh, Early Retirement, and Erase Count Monitor functions to extend product life
- Operation Modes: PC Card Memory, PC Card IO, True IDE
- True IDE Mode supports: UDMA0-5, MDMA0-4, PIO0-6 (UDMA5 as default)
- True IDE Mode: Fixed Disk (Default)
- PC Card Mode: Fixed Disk (Default)
- Power Shield prevents data loss in the event of a sudden power outage

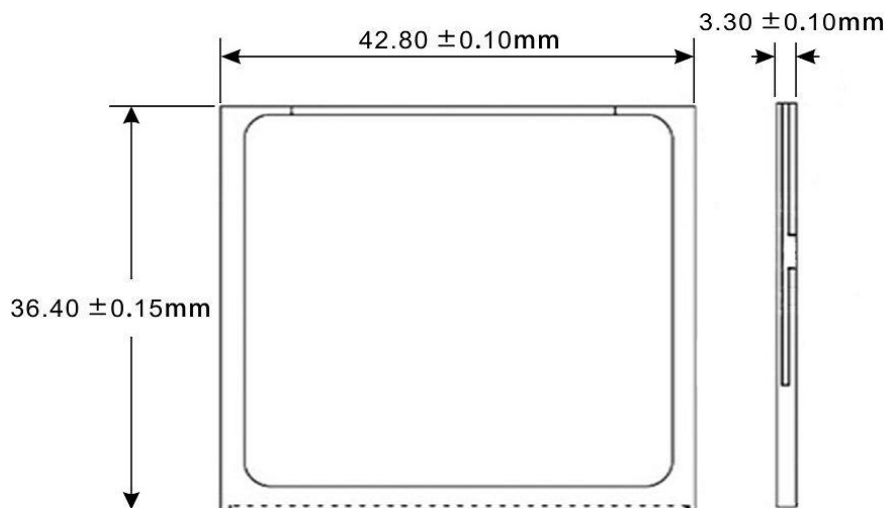
Ordering Information

512MB	TS512MCF200I
1GB	TS1GCF200I
2GB	TS2GCF200I
4GB	TS4GCF200I
8GB	TS8GCF200I

Specifications

Appearance	Dimensions (Max.)	42.8 mm x 36.4 mm x 3.3 mm (1.69" x 1.43" x 0.13")
	Pin	50 pin
	Form Factor	Compact flash card
Storage	Flash Type	SLC NAND flash
	Capacity	512 MB/1 GB/2 GB/4 GB/8 GB
Operating Environment	Operating Voltage	3.3V±5% or 5V±10%
	Operating Temperature	-40°C (-40°F) ~ 85°C (185°F)
	Storage Temperature	-55°C (-67°F) ~ 100°C (212°F)
	Humidity	0% ~ 95%
	Shock	Acceleration: 490 m/s ² (standard holding time: 11 ms, semi-sine wave, velocity change: 3.44 m/s)
	Vibration (Operating)	20 G (peak-to-peak), 20 Hz ~ 2,000 Hz (frequency)
Power	Power Consumption (Max.)	0.39 watt(s)
Performance	Read Speed (Max.)	57 MB/s
	Write Speed (Max.)	35 MB/s
	Mean Time Between Failures (MTBF)	4,000,000 hour(s)
Warranty	Warranty	Three-year Limited Warranty
Note	• Speed may vary due to host hardware, software, usage, and storage capacity.	

Mechanical Dimensions



Product specifications are subject to change without notice. Pictures shown may differ from actual products. Total accessible capacity varies depending on operating environment. Due to the complexity and variety of industrial applications, Transcend cannot guarantee 100% compatibility with all platforms and under all scenarios. For special applications and environments, it is strongly suggested that you contact Transcend beforehand for clarification.



Please feel free to contact us with any special requests you might have.
Tel: +886-2-2792-8000 www.transcend-info.com