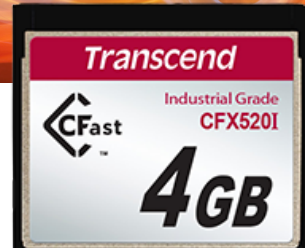


Embedded Solutions



CFast Cards

CFX520I CFast 1.1 Card

Transcend's CFX520I CFast card integrates a rapid and robust SATA interface into a CF card form factor, offering improved performance and convenience for POS and embedded systems. Featuring enhanced speed and robust portability, CFast cards are designed to perform like SSDs, and as such are extremely capable when used as bootable drives.

Hardware Features

- Compliant with RoHS 2.0 standards
- Compliant with CFast specification 1.1
- SLC NAND flash
- Promised operational reliability in a wide temperature range (from -40°C to 85°C)
- Durability: 10,000 insertion/removal cycles

Firmware Features

- Enhanced S.M.A.R.T. function for durability
- Security Command
- Wear-Leveling
- Static Data Refresh
- Erase Count Monitoring

Ordering Information

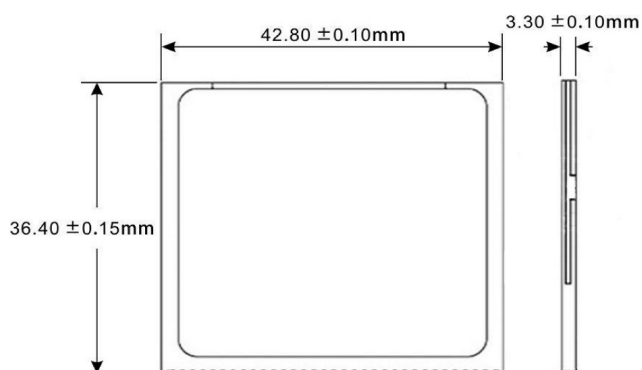
2GB	TS2GCFX520I
-----	-------------

4GB	TS4GCFX520I
-----	-------------

Specifications

Appearance	Dimensions	42.8 mm x 36.4 mm x 3.3 mm (1.69" x 1.43" x 0.13")
	Form Factor	Compact flash card
Interface	Bus Interface	SATA II 3Gb/s
Storage	Flash Type	SLC NAND flash
	Capacity	2 GB / 4 GB
Operating Environment	Operating Voltage	3.3V±5%
	Operating Temperature	-40°C (-40°F) ~ 85°C (185°F)
	Storage Temperature	-40°C (-40°F) ~ 85°C (185°F)
	Humidity	0% ~ 95%
	Shock	Acceleration: 490 m/s ² (standard holding time: 11 ms, semi-sine wave, velocity change: 3.44 m/s)
	Vibration (Operating)	3 G (peak-to-peak), 5 Hz ~ 800 Hz (frequency)
Power	Power Consumption (Max.)	0.50 watt(s)
Performance	Read Speed (Max.)	up to 63 MB/s
	Write Speed (Max.)	up to 28 MB/s
	Mean Time Between Failures (MTBF)	1,000,000 hour(s)
Warranty	Warranty	Three-year Limited Warranty

Mechanical Dimensions



Product specifications are subject to change without notice. Pictures shown may differ from actual products. Total accessible capacity varies depending on operating environment. Due to the complexity and variety of industrial applications, Transcend cannot guarantee 100% compatibility with all platforms and under all scenarios. For special applications and environments, it is strongly suggested that you contact Transcend beforehand for clarification.