

Embedded Solutions



SD Cards

SDHC/XC400I

Utilizing top-quality MLC NAND flash, Transcend's SDHC/XC400I memory cards combine the advantages of high performance and exceptional endurance. The SDHC/XC400I can operate in wide-temperature(-40°C ~ 85°C) environment, making it ideal for demanding industrial applications such as POS terminals and portable devices equipped with an SD memory card slot.

Hardware Features

- Compliant with RoHS 2.0 standards
- Electrostatic protection (ESD IEC 61000-4-2)
- MLC NAND flash
- Compliant with UHS-I
- Compliant with SD specification 3.01

Firmware Features

- Built-in ECC (Error Correction Code) functionality
- Early Move
- Mechanical Write Protection switch for data security
- Supports S.M.A.R.T. function to conduct health monitoring, analysis, and reporting for storage devices
- Wear-Leveling

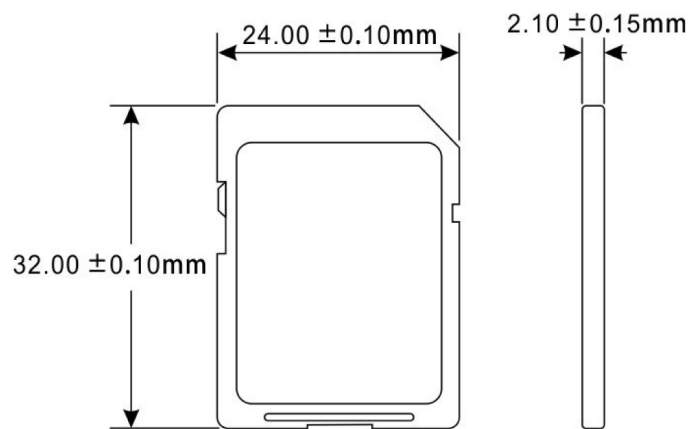
Ordering Information

8GB	TS8GSDC400I
16GB	TS16GSDC400I
32GB	TS32GSDC400I
64GB	TS64GSDC400I

Specifications

Appearance	Dimensions	24 mm x 32 mm x 2.1 mm (0.94" x 1.26" x 0.08")
	Form Factor	SD flash card
Storage	Flash Type	MLC NAND flash
	Capacity	8 GB / 16 GB / 32 GB / 64 GB
Operating Environment	Operating Voltage	2.7V ~ 3.6V
	Drop Test	1.5m free fall
	Operating Temperature	Wide Temp. -40°C (-40°F) ~ 85°C (185°F)
	Storage Temperature	-40°C (-40°F) ~ 85°C (185°F)
	Humidity	0% ~ 95%
	Shock	Acceleration: 490 m/s ² (standard holding time: 11 ms, semi-sine wave, velocity change: 3.44 m/s)
	Vibration (Operating)	20 G (peak-to-peak), 20 Hz ~ 2,000 Hz (frequency)
Power	Power Consumption (Max.)	0.72 watt(s)
Performance	Read Speed (Max.)	up to 75 MB/s
	Write Speed (Max.)	up to 17 MB/s
Warranty	Certificate	CE / FCC / BSMI / UKCA
	Warranty	Three-year Limited Warranty

Mechanical Dimensions



Product specifications are subject to change without notice. Pictures shown may differ from actual products. Total accessible capacity varies depending on operating environment. Due to the complexity and variety of industrial applications, Transcend cannot guarantee 100% compatibility with all platforms and under all scenarios. For special applications and environments, it is strongly suggested that you contact Transcend beforehand for clarification.