

Embedded Solutions



USB Flash Drives

JetFlash 282T

Transcend's industrial-grade USB flash drive JetFlash 282T comes with the 112-layer 3D NAND flash and a USB 3.1 Gen 1 interface. Its superior transfer speeds, compact size, and high compatibility are suitable for mobile storage applications including healthcare, military, and industrial automation. The JetFlash 282T is empowered by Transcend's UFD Security Toolbox software. Password can be set to secure the drive. Users can even get a One-time Password (OTP) through SMS message on the user's phone to unlock the drive, which ensures higher data security.

Hardware Features

- Backwards compatible with USB 2.0
- High-quality 3D NAND flash
- Endurance: 3K P/E cycles (Program/Erase cycles) guaranteed
- Hot-swapping for easy plug-and-play
- High-speed USB 3.1 Gen 1 interface

Firmware Features

- Built-in ECC (Error Correction Code) functionality
- Wear-Leveling

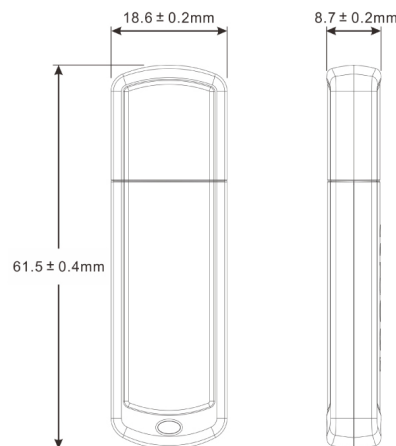
Ordering Information

64GB	TS64GJF282T
128GB	TS128GJF282T
256GB	TS256GJF282T
512GB	TS512GJF282T

Specifications

Appearance	Dimensions	61.5 mm x 18.6 mm x 8.7 mm (2.42" x 0.73" x 0.34")	
	Interface	Connection Interface	USB 3.1 Gen 1
		USB Type	USB Type-A
Storage	Flash Type	112-layer 3D NAND flash	
	Capacity	64 GB / 128 GB / 256 GB / 512 GB	
Operating Environment	Operating Temperature	0°C (32°F) ~ 70°C (158°F)	
	Storage Temperature	-40°C (-40°F) ~ 85°C (185°F)	
	Operating Voltage	5V±10%	
	Shock	1500 G, 0.5 ms, 3 axis	
	Vibration (Operating)	20 G (peak-to-peak), 20 Hz ~ 2000 Hz (frequency)	
Power	Power Consumption (Operation)	1.0 watt(s)	
Performance	Read Speed (Max.)	up to 250 MB/s	
	Write Speed (Max.)	up to 45 MB/s	
	Terabytes Written (TBW)	up to 340 TBW	
	Mean Time Between Failures (MTBF)	3,000,000 hour(s)	
	Note	Speed may vary due to host hardware, software, usage, and storage capacity.	
Warranty	Certificate	CE / FCC / BSMI / UKCA	
	Warranty	Three-year Limited Warranty	
	Warranty Policy	Please click here for more information about the Transcend Warranty Policy. Due to the complexity and variety of industrial applications, Transcend cannot guarantee 100% compatibility with all platforms and under all scenarios. For special applications and environments, it is strongly suggested that you contact Transcend beforehand for clarification.	

Mechanical Dimensions



Product specifications are subject to change without notice. Pictures shown may differ from actual products. Total accessible capacity varies depending on operating environment. Due to the complexity and variety of industrial applications, Transcend cannot guarantee 100% compatibility with all platforms and under all scenarios. For special applications and environments, it is strongly suggested that you contact Transcend beforehand for clarification.