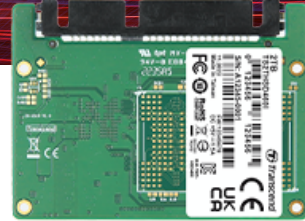


Embedded Solutions



Half-Slim SSDs

HSD460I

Transcend's HSD460I half-slim SSD is built with 112 layers of 3D NAND flash and the SATA III 6Gb/s interface, delivering never-before-seen transfer speeds. Applied with the Corner Bond technology and anti-sulfur resistor, the HSD460I is fortified to withstand demanding industrial applications. Following JEDEC's MO-297 standard, the HSD460I is fully tested in-house and is able to operate in wide operating temperatures ranging from -40°C~85°C, ideal for read-heavy applications and space-limited mobile devices such as industrial control systems, medical equipment, mobile devices, and POS terminals.

Hardware Features

- Compliant with JEDEC MO-297
- Anti-sulfur technology implemented to prevent sulfurization in the environment
- Key components fortified by default with Corner Bond technology
- Promised operational reliability in a wide temperature range (from -40°C to 85°C)

Firmware Features

- Dynamic thermal throttling
- Built-in LDPC ECC (Error Correction Code) functionality
- Advanced Global Wear-Leveling and Block management for reliability
- Supports S.M.A.R.T. function to conduct health monitoring, analysis, and reporting for storage devices

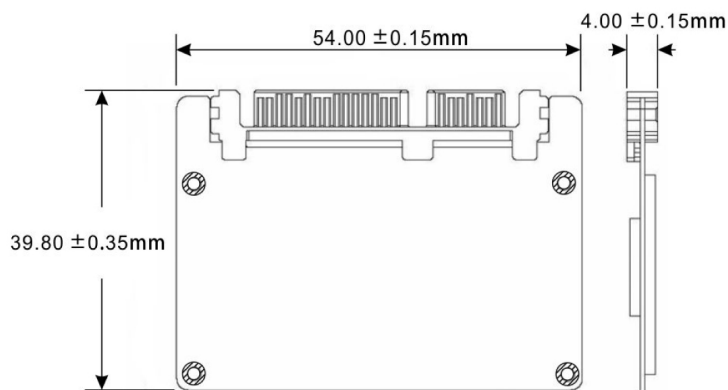
Ordering Information

64GB	TS64GHSD460I
128GB	TS128GHSD460I
256GB	TS256GHSD460I
512GB	TS512GHSD460I
1TB	TS1THSD460I
2TB	TS2THSD460I

Specifications

Appearance	Dimensions	54 mm x 39.8 mm x 4 mm (2.13" x 1.57" x 0.15")
	Weight	9 g (0.32 oz)
	Form Factor	Half-slim (MO-297)
Interface	Bus Interface	SATA III 6Gb/s
Storage	Capacity	64 GB / 128 GB / 256 GB / 512 GB / 1 TB / 2 TB
	Flash Type	112-layer 3D NAND flash
Operating Environment	Operating Voltage	5V±5%
	Operating Temperature	Wide Temp. -40°C (-40°F) ~ 85°C (185°F)
	Storage Temperature	-55°C (-67°F) ~ 85°C (185°F)
	Humidity	5% ~ 95%
	Shock	1500 G, 0.5 ms, 3 axis
	Vibration (Operating)	20 G (peak-to-peak), 7 Hz ~ 2,000 Hz (frequency)
Power	Power Consumption (Operation)	1.9 watt(s)
	Power Consumption (Sleep)	0.3 watt(s)
Performance	Sequential Read/Write (CrystalDiskMark)	Read: up to 560 MB/s Write: up to 490 MB/s
	4K Random Read/Write (IOMeter)	Read: up to 30,000 IOPS Write: up to 80,000 IOPS
	Mean Time Between Failures (MTBF)	3,000,000 hour(s)
	Terabytes Written (TBW)	up to 245 TBW
	Drive Writes Per Day (DWPD)	1.75 (3 yrs)
Warranty	Certificate	CE / FCC / BSMI / UKCA
	Warranty	Three-year Limited Warranty

Mechanical Dimensions



Product specifications are subject to change without notice. Pictures shown may differ from actual products. Total accessible capacity varies depending on operating environment. Due to the complexity and variety of industrial applications, Transcend cannot guarantee 100% compatibility with all platforms and under all scenarios. For special applications and environments, it is strongly suggested that you contact Transcend beforehand for clarification.