

## Embedded Solutions



mSATA SSDs

# MSM362M & MSM362I mSATA mini

Fully compliant with mSATA specifications, Transcend's mSATA MSM362M mini SSD combines ultra-compact dimensions with a high-bandwidth SATA III 6Gb/s interface, ideal for use in small form factor devices such as ultrabooks, industrial PCs, tablets, vehicle PCs, road surveillance recording devices, and other embedded storage applications.

Transcend also offers the MSM362I with wide temperature (-40°C ~ 85°C) capabilities to ensure sustained functionality, enhanced endurance and optimal reliability in mission-critical applications.

## Hardware Features

- Compliant with RoHS 2.0 standards
- Compliant with JEDEC MO-300B
- MLC NAND flash
- Supports Transcend Scope Pro software
- Promised operational reliability in a wide temperature range (from -40°C to 85°C)

## Firmware Features

- Built-in BCH ECC (Error Correction Code) functionality
- Advanced Global Wear-Leveling and Block management for reliability
- Supports S.M.A.R.T. function to conduct health monitoring, analysis, and reporting for storage devices
- TRIM command for better performance

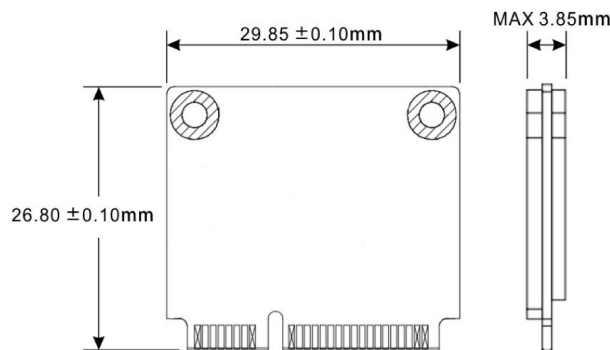
## Ordering Information

16GB	TS16GMSM362M TS16GMSM362I
32GB	TS32GMSM362M TS32GMSM362I
64GB	TS64GMSM362M TS64GMSM362I
128GB	TS128GMSM362M TS128GMSM362I

## Specifications

<b>Appearance</b>	Dimensions	26.8 mm x 29.85 mm x 3.85 mm (1.06" x 1.18" x 0.15")
	Weight	5 g (0.18 oz)
	Pin Count	52 pin
	Form Factor	mSATA mini (MO-300B)
<b>Interface</b>	Bus Interface	SATA III 6Gb/s
<b>Storage</b>	Capacity	16 GB / 32 GB / 64 GB / 128 GB
	Flash Type	MLC NAND flash
<b>Operating Environment</b>	Operating Voltage	3.3V±5%
	Operating Temperature	Standard Temp. 0°C (32°F) ~ 70°C (158°F)
		Wide Temp. -40°C (-40°F) ~ 85°C (185°F)
	Storage Temperature	-55°C (-67°F) ~ 85°C (185°F)
	Humidity	5% ~ 95%
	Shock	15 G, 11 ms, 3 axis
	Vibration (Operating)	20 G (peak-to-peak), 7 Hz ~ 2,000 Hz (frequency)
<b>Power</b>	Power Consumption (Operation)	2.01 watt(s)
<b>Performance</b>	Sequential Read/Write (CrystalDiskMark)	Read: Up to 520 MB/s Write: Up to 220 MB/s
	4K Random Read/Write (IOmeter)	Read: Up to 35,000 IOPS Write: Up to 50,000 IOPS
	Mean Time Between Failures (MTBF)	2,500,000 hour(s)
	Terabytes Written (TBW)	Up to 168 TBW
	Drive Writes Per Day (DWPD)	1.19 (3 yrs)
<b>Warranty</b>	Certificate	CE / UKCA / FCC / BSMI
	Warranty	Three-year Limited Warranty

## Mechanical Dimensions



Product specifications are subject to change without notice. Pictures shown may differ from actual products. Total accessible capacity varies depending on operating environment. Due to the complexity and variety of industrial applications, Transcend cannot guarantee 100% compatibility with all platforms and under all scenarios. For special applications and environments, it is strongly suggested that you contact Transcend beforehand for clarification.