

## Embedded Solutions



### SD Cards

## SDC220I

Transcend's SLC Mode technology is a cost-effective solution that offers performance close to that of SLC NAND flash. SDC220I SD Cards combine the advantages of high performance and exceptional endurance at an affordable price. The wide temperature(-40°C ~ 85°C) capability and high compatibility make them ideal for demanding industrial applications such as POS terminals, medical devices as well as portable devices equipped with an SD memory card slot.

### Hardware Features

- Compliant with SD specification 3.01
- Compliant with RoHS 2.0 standards
- Supports Transcend Scope Pro software
- Electrostatic protection (ESD IEC 61000-4-2)
- Promised operational reliability in a wide temperature range (from -40°C to 85°C)

### Firmware Features

- Wear-Leveling
- Early Move
- Supports S.M.A.R.T. function to conduct health monitoring, analysis, and reporting for storage devices
- Built-in ECC (Error Correction Code) functionality

\*Scope Pro is available on Windows OS only when the [RDF5](#) is used with the SD/microSD cards.\*TS2GSDC220I is compliant with SD specification 2.0.

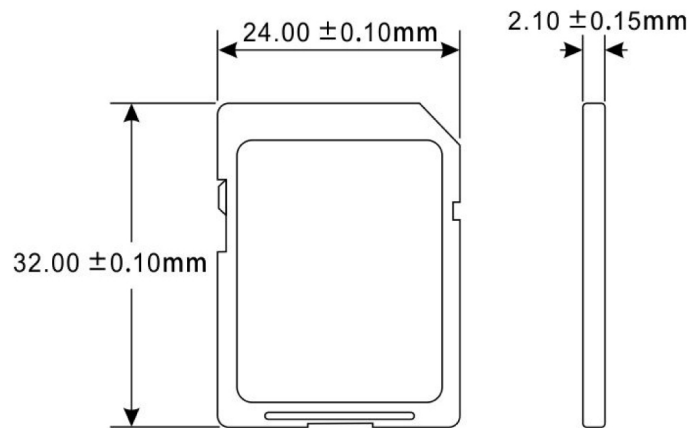
### Ordering Information

|       |               |
|-------|---------------|
| 128MB | TS128MSDC220I |
| 256MB | TS256MSDC220I |
| 512MB | TS512MSDC220I |
| 1GB   | TS1GSDC220I   |
| 2GB   | TS2GSDC220I   |
| 4GB   | TS4GSDC220I   |

## Specifications

|                              |                          |  |
|------------------------------|--------------------------|--|
| <b>Appearance</b>            | Dimensions               | 24 mm x 32 mm x 2.1 mm (0.94" x 1.26" x 0.08")   |
|                              | Form Factor              | SD flash card  |
| <b>Storage</b>               | Flash Type               | MLC NAND flash (SLC mode)  |
|                              | Capacity                 | 128 MB / 256 MB / 512 MB / 1 GB / 2 GB / 4 GB  |
| <b>Operating Environment</b> | Operating Voltage        | 2.7V ~ 3.6V  |
|                              | Drop Test                | 1.5m free fall   |
|                              | Operating Temperature    | Wide Temp.<br>-40°C (-40°F) ~ 85°C (185°F)   |
|                              | Storage Temperature      | -40°C (-40°F) ~ 85°C (185°F)   |
|                              | Humidity                 | 0% ~ 95%   |
|                              | Shock                    | Acceleration: 490 m/s <sup>2</sup> (standard holding time: 11 ms, semi-sine wave, velocity change: 3.44 m/s) |
|                              | Vibration (Operating)    | 20 G (peak-to-peak), 20 Hz ~ 2,000 Hz (frequency)  |
| <b>Power</b>                 | Power Consumption (Max.) | 0.72 watt(s)   |
| <b>Performance</b>           | Read Speed (Max.)        | Up to 22 MB/s  |
|                              | Write Speed (Max.)       | Up to 20 MB/s  |
|                              | Terabytes Written (TBW)  | Up to 66 TBW   |
| <b>Warranty</b>              | Certificate              | CE / UKCA / FCC  |
|                              | Warranty                 | Three-year Limited Warranty  |

## Mechanical Dimensions



Product specifications are subject to change without notice. Pictures shown may differ from actual products. Total accessible capacity varies depending on operating environment. Due to the complexity and variety of industrial applications, Transcend cannot guarantee 100% compatibility with all platforms and under all scenarios. For special applications and environments, it is strongly suggested that you contact Transcend beforehand for clarification.