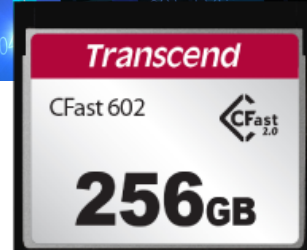


Embedded Solutions



CFast Cards

CFX602 & CFX602I

Featuring a SATA III interface, Transcend CFast 2.0 CFX602 Memory Cards boast high data transfer rates and extra large storage capacity, perfect for serving as bootable disks. The CFX602I with wide-temperature capability(-40°C~85°C) delivers superior stability under extreme temperatures.

Hardware Features

- Compliant with RoHS 2.0 standards
- Compliant with CFast specification 2.0
- MLC NAND flash
- Durability: 10,000 insertion/removal cycles
- Promised operational reliability in a wide temperature range (from -40°C to 85°C)

Firmware Features

- Built-in ECC (Error Correction Code) functionality
- Supports S.M.A.R.T. function to conduct health monitoring, analysis, and reporting for storage devices
- Wear-Leveling
- Power-saving DevSleep (Device Sleep) mode
- Advanced Global Wear-Leveling and Block management for reliability

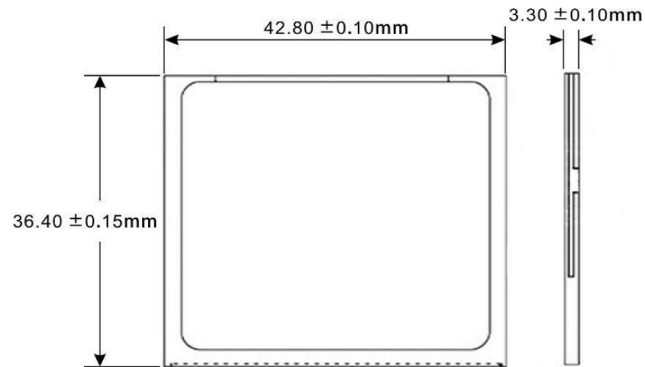
Ordering Information

8GB	TS8GCFX602 TS8GCFX602I
16GB	TS16GCFX602I TS16GCFX602
32GB	TS32GCFX602 TS32GCFX602I
64GB	TS64GCFX602 TS64GCFX602I
128GB	TS128GCFX602 TS128GCFX602I
256GB	TS256GCFX602 TS256GCFX602I

Specifications

Appearance	Dimensions	42.8 mm x 36.4 mm x 3.3 mm (1.69" x 1.43" x 0.13")
	Form Factor	Compact flash card
Interface	Bus Interface	SATA III 6Gb/s
Storage	Flash Type	MLC NAND flash
	Capacity	8 GB / 16 GB / 32 GB / 64 GB / 128 GB / 256 GB
Operating Environment	Operating Voltage	3.3V±5%
	Operating Temperature	Standard Temp. -5°C (23°F) ~ 70°C (158°F)
		Wide Temp. -40°C (-40°F) ~ 85°C (185°F)
	Storage Temperature	-40°C (-40°F) ~ 85°C (185°F)
	Humidity	0% ~ 95%
	Shock	1500 G, 0.5 ms, 3 axis
Vibration (Operating)	3 G (peak-to-peak), 5 Hz ~ 800 Hz (frequency)	
Power	Power Consumption (Max.)	2.15 watt(s)
Performance	Read Speed (Max.)	up to 510 MB/s
	Write Speed (Max.)	up to 340 MB/s
	Mean Time Between Failures (MTBF)	1,000,000 hour(s)
Warranty	Warranty	Three-year Limited Warranty

Mechanical Dimensions



Product specifications are subject to change without notice. Pictures shown may differ from actual products. Total accessible capacity varies depending on operating environment. Due to the complexity and variety of industrial applications, Transcend cannot guarantee 100% compatibility with all platforms and under all scenarios. For special applications and environments, it is strongly suggested that you contact Transcend beforehand for clarification.