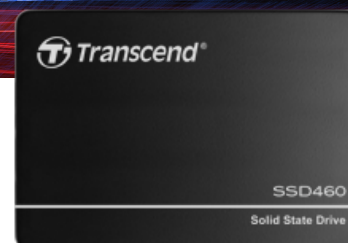


Embedded Solutions



2.5" SATA SSDs

SSD460K

Transcend's industrial 2.5" DRAM-less SSD SSD460K features the SATA III 6Gb/s interface and state-of-the-art 3D NAND technology, which allows 112 layers of 3D NAND flash chips to be vertically stacked. Compared to 3D NAND at 96 layers, this density breakthrough greatly improves storage efficiency. The SSD460K is fully tested in-house to guarantee reliability in mission-critical applications, boasting an endurance rating of 3K Program/Erase cycles and an extended operating temperatures ranging from -20°C~75°C.

Hardware Features

- Compliant with RoHS 2.0 standards
- Endurance: 3K P/E cycles (Program/Erase cycles) guaranteed
- Promised operational reliability in an extended temperature range (from -20°C to 75°C)
- Supports Transcend Scope Pro software

Firmware Features

- NCQ command for better performance
- TRIM command for better performance
- Supports S.M.A.R.T. function to conduct health monitoring, analysis, and reporting for storage devices
- Advanced Garbage Collection
- Advanced Global Wear-Leveling and Block management for reliability

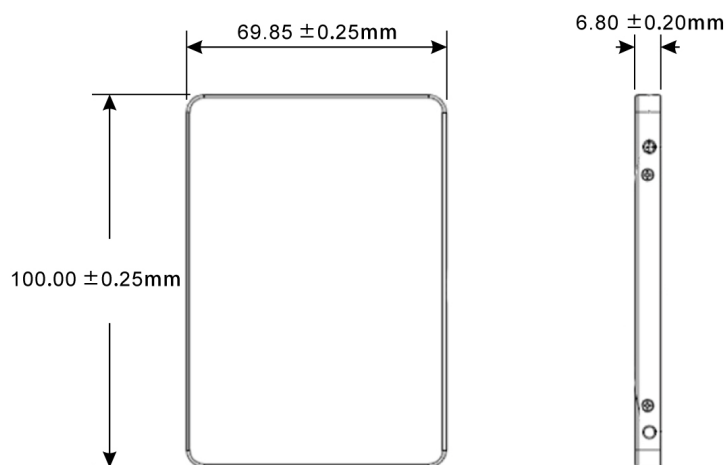
Ordering Information

128GB	TS128GSSD460K
256GB	TS256GSSD460K
512GB	TS512GSSD460K
1TB	TS1TSSD460K

Specifications

Appearance	Dimensions	100 mm x 69.85 mm x 6.8 mm (3.94" x 2.75" x 0.27")
	Weight	45 g (1.59 oz)
	Form Factor	2.5"
Interface	Bus Interface	SATA III 6Gb/s
Storage	Flash Type	3D NAND flash
	Capacity	128 GB / 256 GB / 512 GB / 1 TB
Operating Environment	Operating Voltage	5V±5%
	Operating Temperature	Extended -20°C (-4°F) ~ 75°C (167°F)
	Storage Temperature	-40°C (-40°F) ~ 85°C (185°F)
	Humidity	5% ~ 95%
	Shock	1500 G, 0.5 ms, 3 axis
	Vibration (Operating)	20 G (peak-to-peak), 7 Hz ~ 2,000 Hz (frequency)
Power	Power Consumption (Operation)	2 watt(s)
	Power Consumption (Sleep)	0.5 watt(s)
Performance	Sequential Read/Write (CrystalDiskMark)	Read: up to 560 MB/s Write: up to 500 MB/s
	4K Random Read/Write (IOMeter)	Read: up to 60,000 IOPS Write: up to 75,000 IOPS
	Mean Time Between Failures (MTBF)	2,000,000 hour(s)
	Terabytes Written (TBW)	up to 1,200 TBW
	Drive Writes Per Day (DWPD)	1.09 (3 yrs)
Warranty	Certificate	CE / FCC / BSMI / UKCA
	Warranty	Three-year Limited Warranty

Mechanical Dimensions



Product specifications are subject to change without notice. Pictures shown may differ from actual products. Total accessible capacity varies depending on operating environment. Due to the complexity and variety of industrial applications, Transcend cannot guarantee 100% compatibility with all platforms and under all scenarios. For special applications and environments, it is strongly suggested that you contact Transcend beforehand for clarification.