

## Embedded Solutions



### SD Cards

## SDXC 460T

Utilizing top-quality 3D NAND flash and rated to endure 3K P/E cycles, Transcend's SDXC 460T memory cards combine the advantages of high performance and exceptional endurance at an affordable price, making them ideal for demanding industrial applications such as POS terminals as well as portable devices equipped with an SD memory card slot.

### Hardware Features

- Electrostatic protection (ESD IEC 61000-4-2)
- Compliant with Video Speed Class 30 (V30)
- Compliant with Application Performance Class 2 (A2)
- Compliant with SD specification 6.1
- Endurance: 3K P/E cycles (Program/Erase cycles) guaranteed

### Ordering Information

64GB	TS64GSDC460T
128GB	TS128GSDC460T
256GB	TS256GSDC460T
512GB	TS512GSDC460T

### Firmware Features

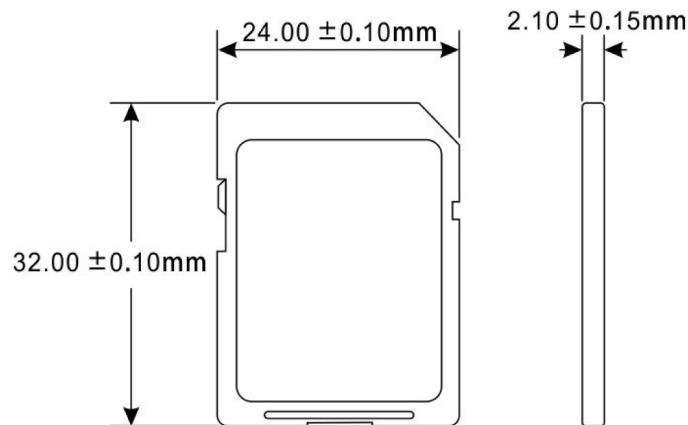
- Wear-Leveling
- Early Move
- Built-in LDPC ECC (Error Correction Code) functionality
- Supports S.M.A.R.T. function to conduct health monitoring, analysis, and reporting for storage devices

\*Scope Pro is only available when used with the [RDF5](#) card reader.\*Transcend's SDXC 460T 64GB cards meet UHS-I Speed Class 1 (U1), Video Speed Class 10 (V10), and Application Performance Class 1 (A1) standards.

## Specifications

<b>Appearance</b>	Dimensions	24 mm x 32 mm x 2.1 mm (0.94" x 1.26" x 0.08")
	Form Factor	SD flash card
<b>Storage</b>	Flash Type	3D NAND flash
	Capacity	64 GB / 128 GB / 256 GB / 512 GB
<b>Operating Environment</b>	Operating Voltage	2.7V ~ 3.6V
	Drop Test	1.5m free fall
	Operating Temperature	Standard -25°C (-13°F) ~ 85°C (185°F)
	Storage Temperature	-40°C (-40°F) ~ 85°C (185°F)
	Humidity	0% ~ 95%
	Shock	Acceleration: 490 m/s <sup>2</sup> (standard holding time: 11 ms, semi-sine wave, velocity change: 3.44 m/s)
	Vibration (Operating)	20 G (peak-to-peak), 20 Hz ~ 2,000 Hz (frequency)
<b>Power</b>	Power Consumption (Max.)	0.5 watt(s)
<b>Performance</b>	Read Speed (Max.)	up to 100 MB/s
	Write Speed (Max.)	up to 85 MB/s
	Terabytes Written (TBW)	up to 1328 TBW
<b>Warranty</b>	Certificate	CE / FCC
	Warranty	Three-year Limited Warranty

## Mechanical Dimensions



Product specifications are subject to change without notice. Pictures shown may differ from actual products. Total accessible capacity varies depending on operating environment. Due to the complexity and variety of industrial applications, Transcend cannot guarantee 100% compatibility with all platforms and under all scenarios. For special applications and environments, it is strongly suggested that you contact Transcend beforehand for clarification.