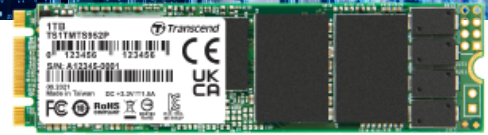


## Embedded Solutions



### SATA III M.2 SSDs

# MTS952P & MTS952P-I

Transcend's MTS952P M.2 SSD features the SATA III 6Gb/s interface, delivering superior transfer speeds. The MTS952P features the latest 3D NAND technology for high storage efficiency, 30µ" PCB gold finger and Corner Bond technology for enhanced durability, built-in DRAM cache for fast access, an extended operating temperature range from -20°C to 75°C, and an endurance rating of 3K Program/Erase cycles for reliable operation. The built-in Power Loss Protection (PLP) further ensures data integrity in mission-critical applications.

Transcend also offers the MTS952P-I with wide temperature (-40°C ~ 85°C) capabilities to ensure sustained functionality, enhanced endurance and optimal reliability in mission-critical applications.

## Hardware Features

- DDR3 DRAM Cache embedded
- 30µ" PCB gold finger
- Endurance: 3K P/E cycles (Program/Erase cycles) guaranteed
- Key components fortified by default with Corner Bond technology
- Power Loss Protection (PLP) to prevent data loss in the event of sudden power outage

## Firmware Features

- Power-saving DevSleep (Device Sleep) mode
- Dynamic thermal throttling
- Advanced Garbage Collection
- Built-in LDPC ECC (Error Correction Code) functionality
- Supports S.M.A.R.T. function to conduct health monitoring, analysis, and reporting for storage devices

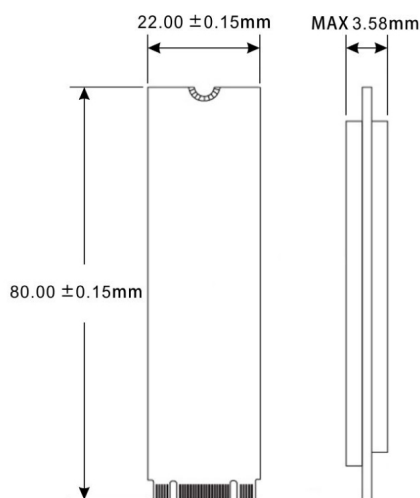
## Ordering Information

64GB	TS64GMTS952P TS64GMTS952P-I
128GB	TS128GMTS952P TS128GMTS952P-I
256GB	TS256GMTS952P TS256GMTS952P-I
512GB	TS512GMTS952P TS512GMTS952P-I
1TB	TS1TMTS952P TS1TMTS952P-I

## Specifications

<b>Appearance</b>	Dimensions	80.0 mm x 22.0 mm x 3.88 mm (3.15" x 0.87" x 0.15")
	Weight	9 g (0.32 oz)
	Form Factor	M.2 2280
	M.2 Type	2280-D5-B-M (Double-sided)
<b>Interface</b>	Bus Interface	SATA III 6Gb/s
<b>Storage</b>	Flash Type	3D NAND flash
	Capacity	64 GB / 128 GB / 256 GB / 512 GB / 1 TB
<b>Operating Environment</b>	Operating Voltage	3.3V±5%
	Operating Temperature	Extended Temp. -20°C (-4°F) ~ 75°C (167°F)
		Wide Temp. -40°C (-40°F) ~ 85°C (185°F)
	Storage Temperature	-55°C (-67°F) ~ 85°C (185°F)
	Humidity	5% ~ 95%
	Shock	1500 G, 0.5 ms, 3 axis
	Vibration (Operating)	20 G (peak-to-peak), 7 Hz ~ 2000 Hz (frequency)
<b>Power</b>	Power Consumption (Operation)	2.3 watt(s)
	Power Consumption (Sleep)	0.4 watt(s)
<b>Performance</b>	Sequential Read/Write (CrystalDiskMark)	Read: up to 560 MB/s Write: up to 520 MB/s
	4K Random Read/Write (IOmeter)	Read: up to 95,000 IOPS Write: up to 85,000 IOPS
	Mean Time Between Failures (MTBF)	3,000,000 hour(s)
	Terabytes Written (TBW)	up to 1,760 TBW
	Drive Writes Per Day (DWPD)	1.61 (3 yrs)
<b>Warranty</b>	Certificate	CE / FCC / BSMI / UKCA
	Warranty	Three-year Limited Warranty

## Mechanical Dimensions



Product specifications are subject to change without notice. Pictures shown may differ from actual products. Total accessible capacity varies depending on operating environment. Due to the complexity and variety of industrial applications, Transcend cannot guarantee 100% compatibility with all platforms and under all scenarios. For special applications and environments, it is strongly suggested that you contact Transcend beforehand for clarification.