

## Embedded Solutions



### SATA III M.2 SSDs

## MTS460

Featuring the SATA III 6Gb/s interface and utilizing Transcend's exclusive SuperMLC flash optimization technology, Transcend's MTS460 M.2 SSD delivers incredible cost performance and SLC-grade reliability in a compact M.2 form factor. It is ideal for high-performance computing and for embedded verticals where space is a concern, fully addressing the requirements of small form factor systems.

The MTS460 M.2 SSD is built with DRAM cache for reliable speeds, outstanding cache performance, and firmware optimization capability for even greater flexibility.

### Hardware Features

- Compliant with RoHS 2.0 standards
- Space-saving M.2 form factor (42mm) – ideal for mobile computing devices
- DDR3 DRAM Cache embedded
- Supports Transcend Scope Pro software

### Firmware Features

- Transcend's exclusive SuperMLC technology
- Enhanced S.M.A.R.T. function for durability
- Built-in BCH ECC (Error Correction Code) functionality
- Power-saving DevSleep (Device Sleep) mode
- Advanced Global Wear-Leveling and Block management for reliability

### Ordering Information

---

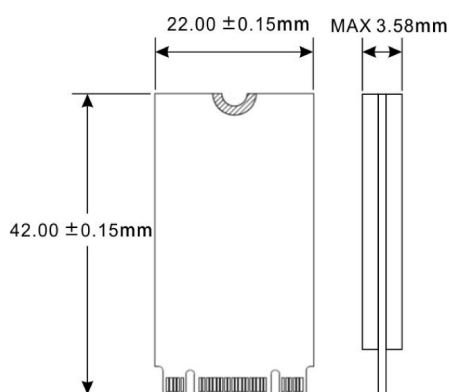
8GB	TS8GMTS460
-----	------------

---

## Specifications

<b>Appearance</b>	Dimensions	42.0 mm x 22.0 mm x 3.58 mm (1.65" x 0.87" x 0.14")
	Weight	5 g (0.18 oz)
	Form Factor	M.2
	M.2 Type	2242-D2-B-M (Double-sided)
<b>Interface</b>	Bus Interface	SATA III 6Gb/s
<b>Storage</b>	Flash Type	SuperMLC
	Capacity	8 GB
<b>Operating Environment</b>	Operating Voltage	3.3V±5%
	Operating Temperature	Standard 0°C (32°F) ~ 70°C (158°F)
	Storage Temperature	-40°C (-40°F) ~ 85°C (185°F)
	Humidity	5% ~ 95%
	Shock	1500 G, 0.5 ms, 3 axis
	Vibration (Operating)	20 G (peak-to-peak), 7 Hz ~ 2000 Hz (frequency)
<b>Power</b>	Power Consumption (Operation)	0.74 watt(s)
	Power Consumption (Sleep)	0.41 watt(s)
<b>Performance</b>	Sequential Read/Write (CrystalDiskMark, max.)	Read: up to 160 MB/s Write: up to 75 MB/s
	4K Random Read/Write (IOmeter, max.)	Read: up to 18,000 IOPS Write: up to 18,000 IOPS
	Mean Time Between Failures (MTBF)	2,500,000 hour(s)
	Terabytes Written (Max.)	130 TBW
	Drive Writes Per Day (DWPD)	15.2 (3 yrs)
<b>Warranty</b>	Certificate	CE / FCC / BSMI
	Warranty	Three-year Limited Warranty

## Mechanical Dimensions



Product specifications are subject to change without notice. Pictures shown may differ from actual products. Total accessible capacity varies depending on operating environment. Due to the complexity and variety of industrial applications, Transcend cannot guarantee 100% compatibility with all platforms and under all scenarios. For special applications and environments, it is strongly suggested that you contact Transcend beforehand for clarification.