

Embedded Solutions



SATA III M.2 SSDs MTS460

Featuring the SATA III 6Gb/s interface and built utilizing Transcend's exclusive SuperMLC flash optimization technology, Transcend's MTS460 M.2 SSD deliver incredible cost performance and SLC-grade reliability in a compact M.2 form factor. It is ideal for high-performance computing and for embedded verticals where space is a concern, fully addressing the requirements of small form factor systems. The MTS460 M.2 SSD is built with DRAM cache for reliable speeds, outstanding cache performance, and firmware optimization capability for even greater flexibility.

Features

- Transcend's exclusive SuperMLC technology
- Space-saving M.2 form factor (42mm) – ideal for mobile computing devices
- DRAM Cache embedded
- TRIM command
- NCQ command
- Global Wear-Leveling and Block management for reliability
- Garbage Collection
- Built-in ECC (Error Correction Code) functionality
- Power-saving DevSleep (Device Sleep) mode (optional)
- Enhanced S.M.A.R.T. function for durability
- Compliant with RoHS 2.0 standards

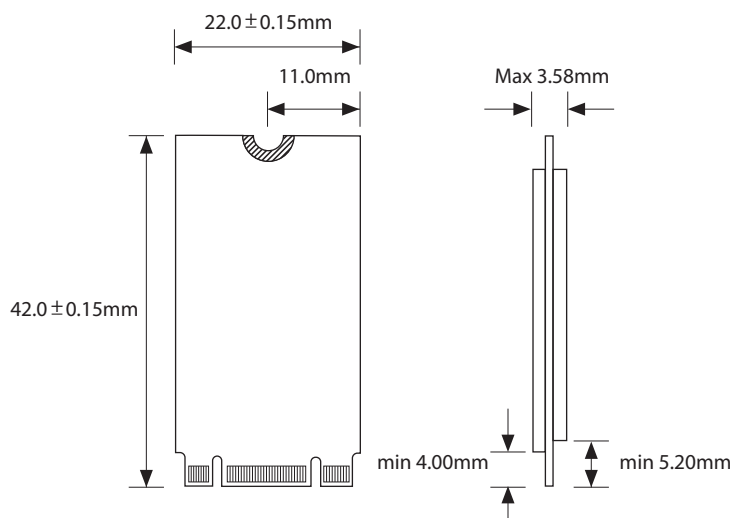
Ordering Information

8GB	TS8GMTS460
-----	------------

Specifications

Appearance	Dimensions	42.0 mm x 22.0 mm x 3.58 mm (1.65" x 0.87" x 0.14")
	Weight	5 g (0.18 oz)
	Form Factor	M.2
	M.2 Type	2242-D2-B-M
Interface	Bus Interface	SATA III 6Gb/s
Storage	Flash Type	SuperMLC
	Capacity	8 GB
Operating Environment	Operating Voltage	3.3V±5%
	Operating Temperature	0°C (32°F) ~ 70°C (158°F)
	Storage Temperature	-40°C (-40°F) ~ 85°C (185°F)
	Humidity	5% ~ 95%
	Shock	1500 G, 0.5 ms, 3 axis
	Vibration (Operating)	20 G (peak-to-peak), 7 Hz ~ 2000 Hz (frequency)
Power	Power Consumption (Operation)	0.74 watt(s)
	Power Consumption (Sleep)	0.41 watt(s)
Performance	Sequential Read/Write (CrystalDiskMark, max.)	Read: 160 MB/s; write: 75 MB/s
	4K Random Read/Write (IOmeter, max.)	Read: 18,000 IOPS; write: 18,000 IOPS
	Mean Time Between Failures (MTBF)	2,500,000 hour(s)
	Terabytes Written (Max.)	130 TB
	Drive Writes Per Day (DWPD)	15.2 (3 yrs)
Warranty	Certificate	CE/FCC/BSMI
	Warranty	Three-year Limited Warranty
Note	<ul style="list-style-type: none"> • Speed may vary due to host hardware, software, usage, and storage capacity. • The workload used to rate DWPD may be different from your actual workload, which may vary due to host hardware, software, usage, and storage capacity. 	

Mechanical Dimensions



Product specifications are subject to change without notice. Pictures shown may differ from actual products. Total accessible capacity varies depending on operating environment. Due to the complexity and variety of industrial applications, Transcend cannot guarantee 100% compatibility with all platforms and under all scenarios. For special applications and environments, it is strongly suggested that you contact Transcend beforehand for clarification.



Please feel free to contact us with any special requests you might have.
Tel: +886-2-2792-8000 www.transcend-info.com