

## Embedded Solutions

# USB MLC USB Flash Drive



Transcend's MLC USB Flash Drives are built utilizing the finest MLC NAND flash chips for exceptional endurance. Featuring the USB 3.1 Gen 1 interface, large capacities, and a compact form factor for wide application potential, the USB flash drive is ideal for embedded applications in the medical, military, and automation sectors.

## Hardware Features

- MLC NAND flash
- High-speed USB 3.1 Gen 1 interface
- Backwards compatible with USB 2.0
- Hot-swapping for easy plug-and-play

## Firmware Features

- Built-in ECC (Error Correction Code) functionality

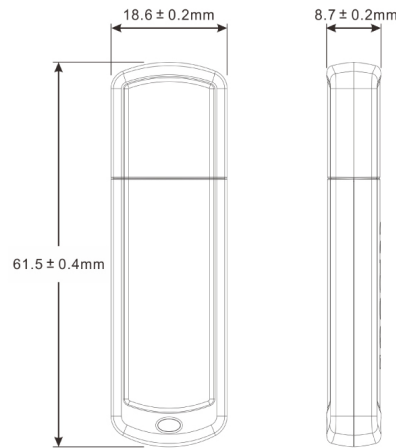
## Ordering Information

8GB	TS8GJF270M
16GB	TS16GJF270M
32GB	TS32GJF270M

## Specifications

<b>Appearance</b>	Dimensions	61.5 mm x 18.6 mm x 8.7 mm (2.42" x 0.73" x 0.34")
	<b>Interface</b>	Connection Interface
<b>Storage</b>	USB Type	USB Type-A
	Flash Type	MLC NAND flash
<b>Operating Environment</b>	Capacity	8 GB / 16 GB / 32 GB
	Operating Voltage	5V±10%
	Operating Temperature	0°C (32°F) ~ 70°C (158°F)
	Storage Temperature	-40°C (-40°F) ~ 85°C (185°F)
	Shock	1500 G, 0.5 ms, 3 axis
<b>Power</b>	Vibration (Operating)	3 G (peak-to-peak), 5 Hz ~ 800 Hz (frequency)
	Power Consumption (Operation)	1 watt(s)
<b>Performance</b>	Read Speed (Max.)	up to 160 MB/s
	Write Speed (Max.)	up to 40 MB/s
	Terabytes Written (TBW)	up to 31 TBW
	Mean Time Between Failures (MTBF)	1,000,000 hour(s)
<b>Warranty</b>	Certificate	CE / FCC / BSMI
	Warranty	Three-year Limited Warranty

## Mechanical Dimensions



Product specifications are subject to change without notice. Pictures shown may differ from actual products. Total accessible capacity varies depending on operating environment. Due to the complexity and variety of industrial applications, Transcend cannot guarantee 100% compatibility with all platforms and under all scenarios. For special applications and environments, it is strongly suggested that you contact Transcend beforehand for clarification.