

Embedded Solutions



USB Flash Memory JF270M

Transcend's MLC USB Flash Drives are built utilizing the finest MLC NAND flash chips for exceptional endurance. Featuring the USB 3.1 Gen 1 interface, large capacities, and a compact form factor for wide application potential, the USB flash drive is ideal for embedded applications in the medical, military, and automation sectors.

Features

- MLC NAND flash
- High-speed USB 3.1 Gen 1 interface
- Backwards compatible with USB 2.0
- Transcend Elite data management software

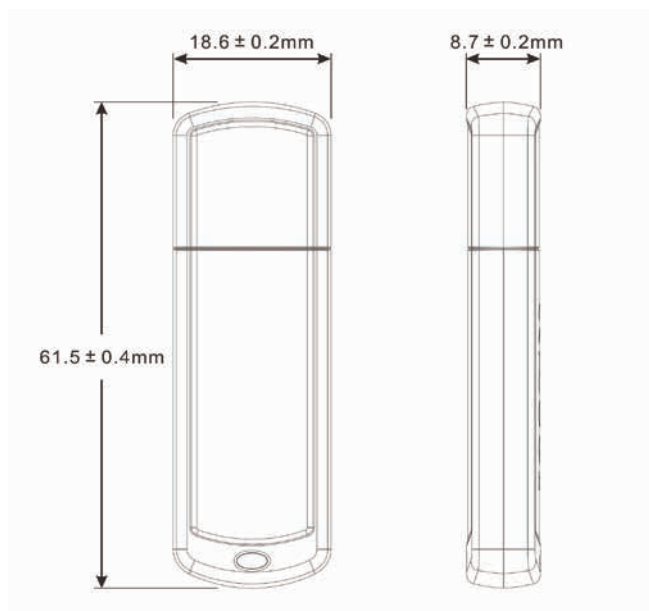
Ordering Information

8GB	TS8GJF270M
16GB	TS16GJF270M
32GB	TS32GJF270M

Specifications

Appearance	Dimensions	61.5 mm x 18.6 mm x 8.7 mm (2.42" x 0.73" x 0.34")
Interface	Connection Interface	USB 3.1 Gen 1
	USB Type	USB Type-A
Storage	Flash Type	MLC NAND flash
	Capacity	8 GB / 16 GB / 32 GB
Operating Environment	Operating Voltage	5V±10%
	Operating Temperature	0°C (32°F) ~ 70°C (158°F)
	Storage Temperature	-40°C (-40°F) ~ 85°C (185°F)
	Shock	1500 G, 0.5 ms, 3 axis
	Vibration (Operating)	3 G (peak-to-peak), 5 Hz ~ 800 Hz (frequency)
Power	Power Consumption (Operation)	1 watt(s)
Performance*	Read Speed (Max.)	160 MB/s
	Write Speed (Max.)	40 MB/s
	Terabytes Written (Max.)	31 TBW
	Mean Time Between Failures (MTBF)	1,000,000 hour(s)
Warranty	Certificate	CE / FCC / BSMI
	Warranty	Three-year Limited Warranty
Note	* Speed may vary due to host hardware, software, usage, and storage capacity.	

Mechanical Specifications



Product specifications are subject to change without notice. Pictures shown may differ from actual products. When used as a storage capacity unit, one terabyte (TB) = one trillion bytes. Total accessible capacity varies depending on operating environment. Due to the complexity and variety of industrial applications, Transcend cannot guarantee 100% compatibility with all platforms and under all scenarios. For special applications and environments, it is strongly suggested that you contact Transcend beforehand for clarification.



Please feel free to contact us with any special requests you might have.

Tel: +886-2-2792-8000 www.transcend-info.com