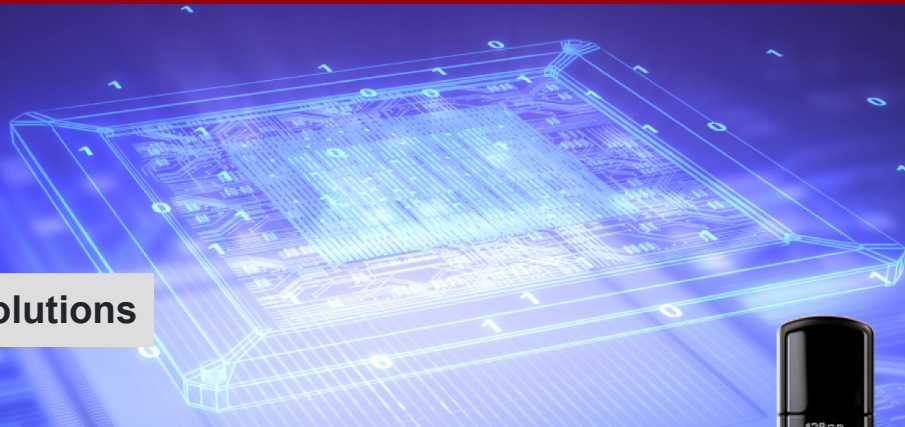


Embedded Solutions



USB 3D NAND USB Flash Drive

Transcend's 3D NAND USB Flash Drives are built utilizing state-of-the-art 3D NAND technology, which allows 96 layers of 3D NAND flash chips to be vertically stacked. Featuring the USB 3.1 Gen 1 interface, large capacities, and a compact form factor for wide application potential, the USB flash drive is ideal for embedded applications in the medical, military, and automation sectors.

Hardware Features

- Endurance: 3K P/E cycles (Program/Erase cycles) guaranteed
- Backwards compatible with USB 2.0
- Hot-swapping for easy plug-and-play
- High-quality 3D NAND flash
- Supports Transcend Elite data management software

Ordering Information

16GB	TS16GJF280T
32GB	TS32GJF280T
64GB	TS64GJF280T
128GB	TS128GJF280T

Firmware Features

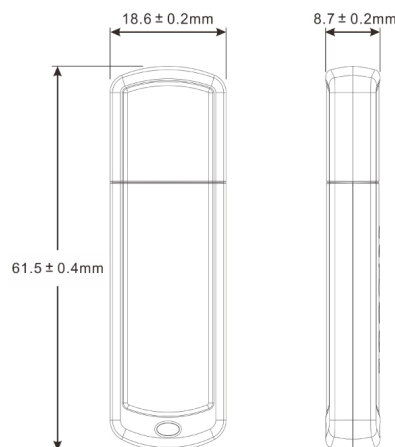
- Wear-Leveling
- Built-in ECC (Error Correction Code) functionality

Note: Transcend's JF280T 16GB features 64-layer 3D NAND flash with 1K P/E cycles.

Specifications

Appearance	Dimensions	61.5 mm x 18.6 mm x 8.7 mm (2.42" x 0.73" x 0.34")	
	Interface	Connection Interface	USB 3.1 Gen 1
		USB Type	USB Type-A
Storage	Flash Type	3D NAND flash	
	Capacity	16 GB / 32 GB / 64 GB / 128 GB	
Operating Environment	Operating Voltage	5V±10%	
	Operating Temperature	0°C (32°F) ~ 70°C (158°F)	
	Storage Temperature	-40°C (-40°F) ~ 85°C (185°F)	
	Shock	1500 G, 0.5 ms, 3 axis	
	Vibration (Operating)	3 G (peak-to-peak), 5 Hz ~ 800 Hz (frequency)	
Power	Power Consumption (Operation)	0.7 watt(s)	
Performance	Read Speed (Max.)	up to 140 MB/s	
	Write Speed (Max.)	up to 40 MB/s	
	Mean Time Between Failures (MTBF)	1,000,000 hour(s)	
Warranty	Certificate	CE / FCC / BSMI	
	Warranty	Three-year Limited Warranty	

Mechanical Dimensions



Product specifications are subject to change without notice. Pictures shown may differ from actual products. Total accessible capacity varies depending on operating environment. Due to the complexity and variety of industrial applications, Transcend cannot guarantee 100% compatibility with all platforms and under all scenarios. For special applications and environments, it is strongly suggested that you contact Transcend beforehand for clarification.