

Embedded Solutions



USB Flash Memory JF280T

Transcend's 3D NAND USB Flash Drives are built utilizing the finest 3D NAND flash chips for high performance. Featuring the USB 3.1 Gen 1 interface, large capacities, and a compact form factor for wide application potential, the USB flash drive is ideal for embedded applications in the medical, military, and automation sectors.

Features

- High-quality 3D NAND flash
- High-speed USB 3.1 Gen 1 interface
- Backwards compatible with USB 2.0
- Transcend Elite data management software

Ordering Information

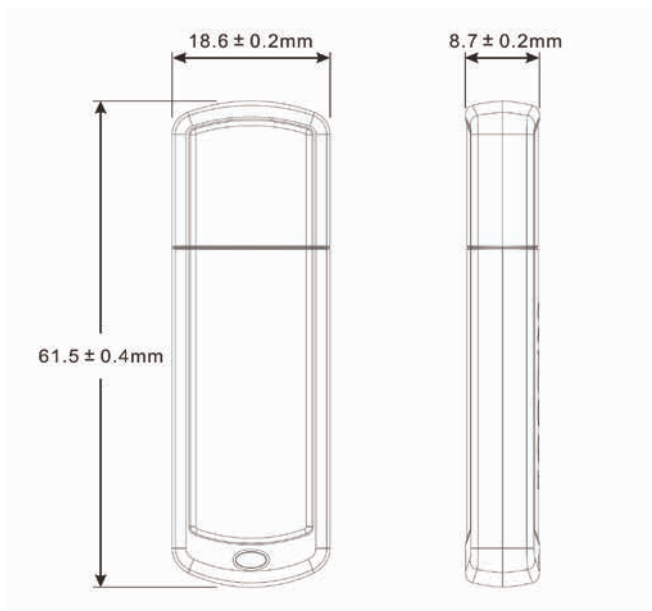
16GB	TS16GJF280T
32GB	TS32GJF280T
64GB	TS64GJF280T
128GB	TS128GJF280T

Note: Transcend's JF280T 16GB features 64-layer 3D NAND flash with 1K P/E cycles.

Specifications

Appearance	Dimensions	61.5 mm x 18.6 mm x 8.7 mm (2.42" x 0.73" x 0.34")
Interface	Connection Interface	USB 3.1 Gen 1
	USB Type	USB Type-A
Storage	Flash Type	3D NAND flash
	Capacity	16 GB / 32 GB / 64 GB / 128 GB
Operating Environment	Operating Voltage	5V±10%
	Operating Temperature	0°C (32°F) ~ 70°C (158°F)
	Storage Temperature	-40°C (-40°F) ~ 85°C (185°F)
	Shock	1500 G, 0.5 ms, 3 axis
Power	Power Consumption (Operation)	0.7 watt(s)
Performance*	Read Speed (Max.)	140 MB/s
	Write Speed (Max.)	40 MB/s
	Mean Time Between Failures (MTBF)	1,000,000 hour(s)
Warranty	Certificate	CE / FCC / BSMI
	Warranty	Three-year Limited Warranty
Note	* Speed may vary due to host hardware, software, usage, and storage capacity.	

Mechanical Specifications



Product specifications are subject to change without notice. Pictures shown may differ from actual products. When used as a storage capacity unit, one terabyte (TB) = one trillion bytes. Total accessible capacity varies depending on operating environment. Due to the complexity and variety of industrial applications, Transcend cannot guarantee 100% compatibility with all platforms and under all scenarios. For special applications and environments, it is strongly suggested that you contact Transcend beforehand for clarification.



Please feel free to contact us with any special requests you might have.

Tel: +886-2-2792-8000 www.transcend-info.com