

Embedded Solutions



mSATA SSDs

SATA III 6Gb/s mSATA MSM360 & MSM360I Mini SSD

Fully compliant with mSATA specifications, Transcend's mSATA MSM360 mini SSD combines ultra-compact dimensions with a high-bandwidth SATA III 6Gb/s interface, ideal for use in small form factor devices such as ultrabooks, industrial PCs, tablets, ultra-light notebooks, vehicle PCs, road surveillance recording devices, and other embedded storage applications.

Transcend also offers the MSM360I with wide temperature(-40°C ~ 85°C) capabilities to ensure sustained functionality, enhanced endurance and optimal reliability in mission-critical applications.

Features

- Compliant with JEDEC MO-300B
- Wide-temperature model available: promised operational reliability in a wide temperature range (from -40°C ~ 85°C)
- Advanced Global Wear-Leveling and Block management for reliability
- Advanced Garbage Collection
- Security Command
- Built-in 66 bits per 1KByte ECC (Error Correction Code) functionality
- Enhanced S.M.A.R.T. function for durability
- Compliant with RoHS 2.0 standards
- Power-saving DevSleep (Device Sleep) mode
- Transcend SSD Scope Pro software
- MLC NAND Flash

Ordering Information

Standard (0°C~ 70°C)

16GB	TS16GMSM360
32GB	TS32GMSM360
64GB	TS64GMSM360
128GB	TS128GMSM360

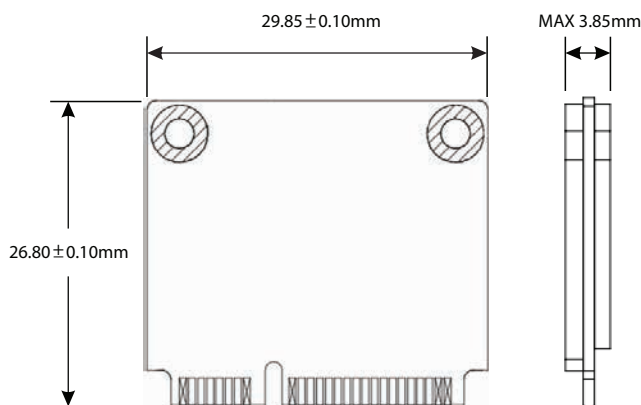
Wide Temp. (-40°C~ 85°C)

16GB	TS16GMSM360I
32GB	TS32GMSM360I
64GB	TS64GMSM360I
128GB	TS128GMSM360I

Specifications

Appearance	Dimensions	26.8 mm x 29.85 mm x 3.85 mm (1.06" x 1.18" x 0.15")
	Weight	5 g (0.18 oz)
	mSATA Type	MO-300B
	Pin	52 pin
Interface	Bus Interface	SATA III 6Gb/s
Storage	Flash Type	MLC NAND flash
	Capacity	16 GB/32 GB/64 GB/128 GB
Operating Environment	Operating Voltage	3.3V±5%
	Operating Temperature	Standard: 0°C (32°F) ~ 70°C (158°F) Wide Temp.: -40°C (-40°F) ~ 85°C (185°F)
	Storage Temperature	-40°C (-40°F) ~ 85°C (185°F)
	Humidity	0% ~ 95%
	Shock	1500 G, 0.5 ms, 3 axis
	Vibration	20 G (peak-to-peak), 7 Hz ~ 2000 Hz (frequency)
Power	Power Consumption (Operation)	2.01 watt(s)
	Power Consumption (Sleep)	0.27 watt(s)
Performance	Sequential Read/Write (CrystalDiskMark, max.)	Read: 520 MB/s; write: 220 MB/s
	4K Random Read/Write (IOMeter, max.)	Read: 35,000 IOPS; write: 50,000 IOPS
	Mean Time Between Failures (MTBF)	2,500,000 hour(s)
	Terabytes Written (Max.)	168 TB
	Drive Writes Per Day (DWPD)	1.19 (3 yrs)
Warranty	Certificate	CE/FCC/BSMI
	Warranty	Three-year Limited Warranty
Note	• Speed may vary due to host hardware, software, usage, and storage capacity.	

Mechanical Dimensions



Product specifications are subject to change without notice. Pictures shown may differ from actual products. Total accessible capacity varies depending on operating environment. Due to the complexity and variety of industrial applications, Transcend cannot guarantee 100% compatibility with all platforms and under all scenarios. For special applications and environments, it is strongly suggested that you contact Transcend beforehand for clarification.



Please feel free to contact us with any special requests you might have.
Tel: +886-2-2792-8000 www.transcend-info.com

