

Embedded Solutions



SATA III M.2 SSDs

MTS600 & MTS600I

Transcend's MTS600 with SATA III 6Gb/s interface and ultra compact dimensions make it best suited to address the high-performance needs and strict size limitations of small form factor devices. This means it is perfect for use in today's modern ultrabooks, thin and light notebooks, and tablets. Built with the latest SATA III 6Gb/s specifications, and with a powerful controller and exceptional transfer speeds, the M.2 SSD easily handles everyday computing tasks as well as demanding multimedia applications.

Transcend also offers the MTS600I with wide temperature (-40°C ~ 85°C) capabilities to ensure sustained functionality, enhanced endurance and optimal reliability in mission-critical applications.

Hardware Features

- Compliant with RoHS 2.0 standards
- Space-saving M.2 form factor (60mm) – ideal for mobile computing devices
- Promised operational reliability in a wide temperature range (from -40°C to 85°C)
- DDR3 DRAM Cache embedded
- MLC NAND flash

Firmware Features

- Enhanced S.M.A.R.T. function for durability
- Power-saving DevSleep (Device Sleep) mode
- Built-in BCH ECC (Error Correction Code) functionality
- Advanced Global Wear-Leveling and Block management for reliability
- Advanced Garbage Collection

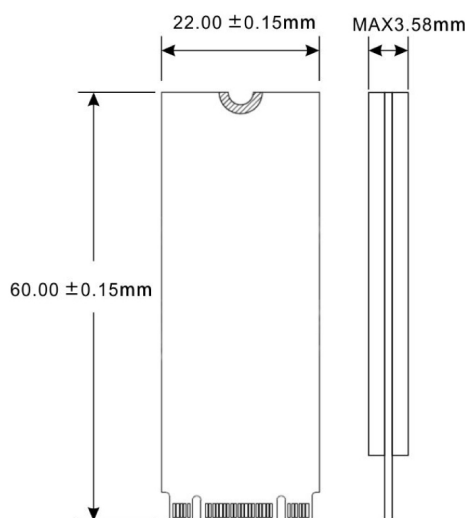
Ordering Information

32GB	TS32GMTS600 TS32GMTS600I
64GB	TS64GMTS600 TS64GMTS600I
128GB	TS128GMTS600 TS128GMTS600I
256GB	TS256GMTS600 TS256GMTS600I
512GB	TS512GMTS600 TS512GMTS600I

Specifications

Appearance	Dimensions	60.0 mm x 22.0 mm x 3.58 mm (2.36" x 0.87" x 0.14")
	Weight	7 g (0.25 oz)
	Form Factor	M.2
	M.2 Type	2260-D2-B-M (Double-sided)
Interface	Bus Interface	SATA III 6Gb/s
Storage	Flash Type	MLC NAND flash
	Capacity	32 GB / 64 GB / 128 GB / 256 GB / 512 GB
Operating Environment	Operating Voltage	3.3V±5%
	Operating Temperature	Standard 0°C (32°F) ~ 70°C (158°F)
		Wide Temp. -40°C (-40°F) ~ 85°C (185°F)
	Storage Temperature	-40°C (-40°F) ~ 85°C (185°F)
	Humidity	0% ~ 95%
	Shock	1500 G, 0.5 ms, 3 axis
	Vibration (Operating)	20 G (peak-to-peak), 7 Hz ~ 2000 Hz (frequency)
Power	Power Consumption (Operation)	2.50 watt(s)
	Power Consumption (Sleep)	0.35 watt(s)
Performance	Sequential Read/Write (CrystalDiskMark, max.)	Read: up to 530 MB/s Write: up to 450 MB/s
	4K Random Read/Write (IOmeter, max.)	Read: up to 70,000 IOPS Write: up to 70,000 IOPS
	Mean Time Between Failures (MTBF)	2,500,000 hour(s)
	Terabytes Written (Max.)	1,480 TBW
	Drive Writes Per Day (DWPD)	2.6 (3 yrs)
Warranty	Certificate	CE / FCC / BSMI
	Warranty	Three-year Limited Warranty

Mechanical Dimensions



Product specifications are subject to change without notice. Pictures shown may differ from actual products. Total accessible capacity varies depending on operating environment. Due to the complexity and variety of industrial applications, Transcend cannot guarantee 100% compatibility with all platforms and under all scenarios. For special applications and environments, it is strongly suggested that you contact Transcend beforehand for clarification.