

Embedded Solutions

mSATA SSDs

SATA II 3Gb/s mSATA MSM610



Fully compliant with mSATA specifications, Transcend's mSATA MSM610 mini SSD delivers the full performance benefits of SSD technology while measuring just 26.8 x 29.85 x 3.85mm. Combining ultra compact dimensions with a high-bandwidth SATA 3Gb/s interface, the mSATA MSM610 mini SSD is ideal for use in small form factor devices such as tablets, ultrabooks, and other embedded storage applications.

Features

- RoHS compliant
- Fully compatible with devices and OS that support the SATA 3Gb/s standard
- Compliant with JEDEC MO-300B
- Built-in ECC (Error Correction Code) functionality
- Power Shield
- Advanced Garbage Collection
- Supports Enhanced S.M.A.R.T. function
- Supports Security Command
- Hardware Purge and Write Protect
- Advanced Global Wear-Leveling and Block management for reliability
- MLC NAND Flash

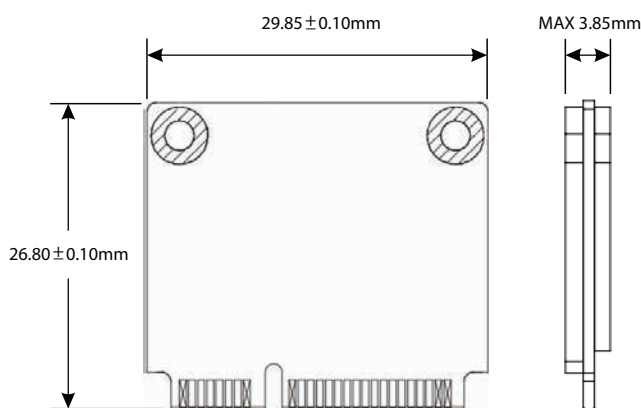
Ordering Information

16GB	TS16GMSM610
------	-------------

Specifications

Appearance	Dimensions (Max.)	26.8 mm x 29.85 mm x 3.85 mm (1.06" x 1.18" x 0.15")
	Weight (Max.)	4 g (0.14 oz)
	mSATA Type	MO-300B
	Pin	52 pin
	Form Factor	mSATA
Interface	Bus Interface	SATA II 3Gb/s
Storage	Flash Type	MLC NAND flash
	Capacity	32 GB
Operating Environment	Operating Voltage	3.3V±5%
	Operating Temperature	0°C (32°F) ~ 70°C (158°F)
	Storage Temperature	-40°C (-40°F) ~ 85°C (185°F)
	Humidity	0% ~ 95%
	Shock	1500 G, 0.5 ms, 3 axis
	Vibration (Operating)	3 G (peak-to-peak), 5 Hz ~ 800 Hz (frequency)
Power	Vibration (Non-operating)	5 G (peak-to-peak), 5 Hz ~ 800 Hz (frequency)
	Power Consumption (Operation)	0.86 watt(s)
Performance	Power Consumption (Sleep)	0.54 watt(s)
	Sequential Read/Write (CrystalDiskMark, max.)	Read: 150 MB/s; write: 42 MB/s
	4K Random Read/Write (IOMeter, max.)	Read: 3,517 IOPS; write: 252 IOPS
	Mean Time Between Failures (MTBF)	1,000,000 hour(s)
Warranty	Terabytes Written (Max.)	21 TB
	Certificate	CE/FCC/BSMI
Note	Warranty	Three-year Limited Warranty
	• Speed may vary due to host hardware, software, usage, and storage capacity.	

Mechanical Dimensions



Product specifications are subject to change without notice. Pictures shown may differ from actual products. Total accessible capacity varies depending on operating environment. Due to the complexity and variety of industrial applications, Transcend cannot guarantee 100% compatibility with all platforms and under all scenarios. For special applications and environments, it is strongly suggested that you contact Transcend beforehand for clarification.



Please feel free to contact us with any special requests you might have.
Tel: +886-2-2792-8000 www.transcend-info.com