

Embedded Solutions

2.5" SATA III SSD SSD420K & SSD420I



Featuring the SATA III 6Gb/s interface, a powerful controller, and top-tier MLC NAND flash chips, Transcend's SSD420K ensures impeccable performance as well as reliability.

Transcend also offers the SSD420I with wide temperature (-40°C ~ 85°C) capabilities to ensure sustained functionality, enhanced endurance and optimal reliability in mission-critical applications.

Features

- Wide-temperature model available: promised operational reliability in a wide temperature range (from -40°C to 85°C)
- Advanced Global Wear-Leveling and Block management for reliability
- Advanced Garbage Collection
- DRAM Cache embedded
- Built-in ECC (Error Correction Code) functionality
- Power-saving DevSleep (Device Sleep) mode
- Enhanced S.M.A.R.T. function for durability
- Compliant with RoHS 2.0 standards
- SSD420K-SE is compliant with TCG Opal specifications.

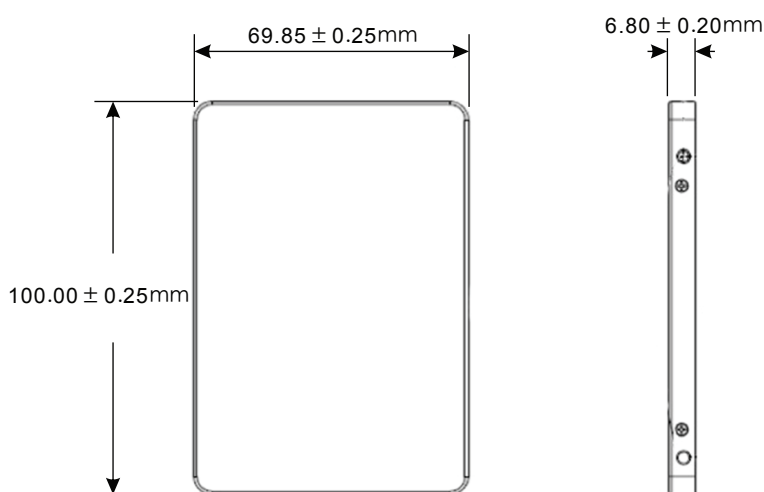
Ordering Information

16GB	TS16GSSD420I
	TS16GSSD420K
32GB	TS32GSSD420I
	TS32GSSD420K
64GB	TS64GSSD420I
	TS64GSSD420K
256GB	TS128GSSD420I
	TS128GSSD420K
	TS256GSSD420I
	TS256GSSD420K-SE TCG Opal
512GB	TS512GSSD420I
	TS512GSSD420K
1TB	TS1TSSD420I
	TS1TSSD420K

Specifications

Appearance	Dimensions (Max.)	100 mm x 69.85 mm x 6.8 mm (3.94" x 2.75" x 0.27")	
	Weight (Max.)	63 g (2.22 oz)	
	Form Factor	2.5"	
Interface	Bus Interface	SATA III 6Gb/s	
Storage	Flash Type	MLC NAND flash	
	Capacity	16 GB/32 GB/64 GB/128 GB/256 GB/512 GB/1 TB	
Operating Environment	Operating Voltage	5V±5%	
	Operating Temperature	Standard	0°C (32°F) ~ 70°C (158°F)
		Wide Temp.	-40°C (-40°F) ~ 85°C (185°F)
	Storage Temperature	-40°C (-40°F) ~ 85°C (185°F)	
	Humidity	0% ~ 95%	
	Shock	1500 G, 0.5 ms, 3 axis	
Vibration (Operating)	5 G (peak-to-peak), 5 Hz ~ 800 Hz (frequency)		
Power	Power Consumption (Operation)	2.65watt(s)	
	Power Consumption (Sleep)	0.4 watt(s)	
Performance	Sequential Read/Write (CrystalDiskMark, max.)	Read: 530 MB/s ; write: 470 MB/s	
	4K Random Read/Write (IOMeter, max.)	Read: 75,000 IOPS ; write: 75,000 IOPS	
	Mean Time Between Failures (MTBF)	2,000,000 hour(s)	
	Terabytes Written (Max.)	2,940TB	
	Drive Writes Per Day (DWPD)	2.6 (3 yrs)	
	Certificate	CE/FCC/BSMI	
Warranty	Warranty	Three-year Limited Warranty	
Note	<ul style="list-style-type: none"> Speed may vary due to host hardware, software, usage, and storage capacity. The workload used to rate DWPD may be different from your actual workload, which may vary due to host hardware, software, usage, and storage capacity. 		

Mechanical Specification



Product specifications are subject to change without notice. Pictures shown may differ from actual products. When used as a storage capacity unit, one terabyte (TB) = one trillion bytes. Total accessible capacity varies depending on operating environment. Due to the complexity and variety of industrial applications, Transcend cannot guarantee 100% compatibility with all platforms and under all scenarios. For special applications and environments, it is strongly suggested that you contact Transcend beforehand for clarification.



Please feel free to contact us with any special requests you might have.

Tel: +886-2-2792-8000 www.transcend-info.com

