

## Embedded Solutions



### SD Cards

# SDHC/SDXC420T & SDHC/SDXC420I

3K P/E cycles

Utilizing top-quality 3D NAND Flash and rated to endure 3K P/E cycles, Transcend's SDXC/SDHC 420T memory cards combine the advantages of high performance and exceptional endurance at an affordable price, making them ideal for demanding industrial applications such as POS terminals as well as portable devices equipped with an SD memory card slot.

Transcend also offers the SDXC/SDHC 420I with wide temperature (-40°C ~ 85°C) capabilities to ensure sustained functionality, enhanced endurance and optimal reliability.

## Features

- Compliant with UHS-I
- Compliant with SD specification 5.1
- Supports UHS-I 10 Speed Class 10
- Supports Application Performance Class 1 (A1)
- Compliant with RoHS 2.0 standards
- Endurance: 3K P/E cycles (Program/Erase cycles) guaranteed
- Built-in ECC (Error Correction Code) functionality
- Electrostatic protection (ESD IEC 61000-4-2)
- Wide-temperature model available: promised operational reliability in a wide temperature range (from -40°C ~ 85°C)

## Ordering Information

### Standard (-25°C~ 85°C)

32GB	TS32GSDC420T
------	--------------

64GB	TS64GSDC420T
------	--------------

128GB	TS128GSDC420T
-------	---------------

### Wide Temp. (-40°C~ 85°C)

32GB	TS32GSDC420I
------	--------------

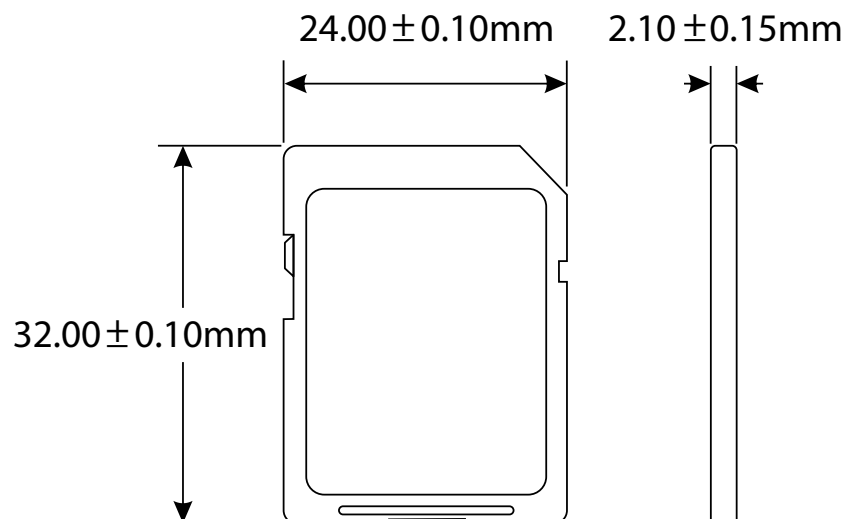
64GB	TS64GSDC420I
------	--------------

128GB	TS128GSDC420I
-------	---------------

## Specifications

Appearance	Dimensions	24 mm x 32 mm x 2.1 mm (0.94" x 1.26" x 0.08")
	Form Factor	SD flash card
Storage	Flash Type	3D NAND flash
	Capacity	32 GB/64 GB/128 GB
Operating Environment	Operating Voltage	2.7V ~ 3.6V
	Drop Test	1.5m free fall
	Operating Temperature	Standard: -25°C (-13°F) ~ 85°C (185°F) Wide Temp.: -40°C (-40°F) ~ 85°C (185°F)
	Storage Temperature	-40°C (-40°F) ~ 85°C (185°F)
	Humidity	0% ~ 95%
	Shock	Acceleration: 490 m/s <sup>2</sup> (standard holding time: 11 ms, semi-sine wave, velocity change: 3.44 m/s)
	Vibration (Operating)	20 G (peak-to-peak), 20 Hz ~ 2,000 Hz (frequency)
Power	Power Consumption (Max.)	0.5 watt(s)
Performance	Read Speed (Max.)	95 MB/s
	Write Speed (Max.)	40 MB/s
	Terabytes Written (Max.)	320 TB
Warranty	Certificate	CE/FCC/BSMI
	Warranty	Three-year Limited Warranty
Note	• Speed may vary due to host hardware, software, usage, and storage capacity.	

## Mechanical Dimensions



Product specifications are subject to change without notice. Pictures shown may differ from actual products. Total accessible capacity varies depending on operating environment. Due to the complexity and variety of industrial applications, Transcend cannot guarantee 100% compatibility with all platforms and under all scenarios. For special applications and environments, it is strongly suggested that you contact Transcend beforehand for clarification.



Please feel free to contact us with any special requests you might have.  
Tel: +886-2-2792-8000 [www.transcend-info.com](http://www.transcend-info.com)